

ROUGH TERRAIN CRANE 80 US T CAPACITY

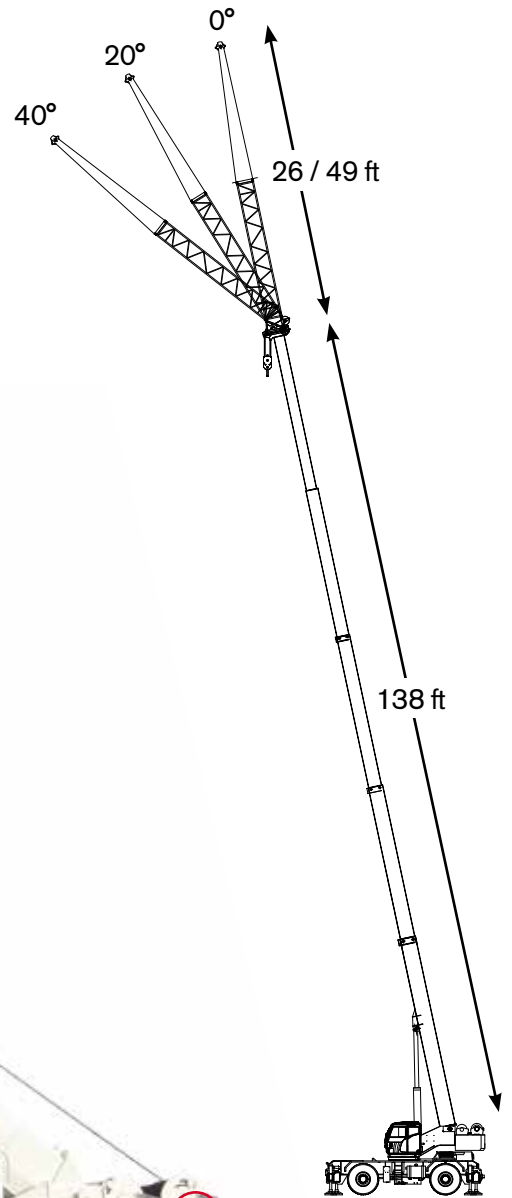


WORKS FOR YOU.™

POWER IS IN YOUR HANDS

HIGH VERSATILITY

- 80 USt lifting capacity
- 138 ft max boom length with three boom telescoping modes
- 148 ft max tip height main boom
- Additional 2-section jib of 26/49 ft
- 195 ft max tip height with jib



FULL CONTROL.

New TEOS Operating System

- 10" full-color touch screen display with intuitive interface
- Ergonomic electro-proportional joysticks with adjustable responsiveness to operator preferences

GREAT COMFORT, EXCELLENT VISIBILITY

- Extra wide and tiltable cabin with large glass surface. No blind spots.
- Integrated heating and air conditioning system

EASY TO HANDLE

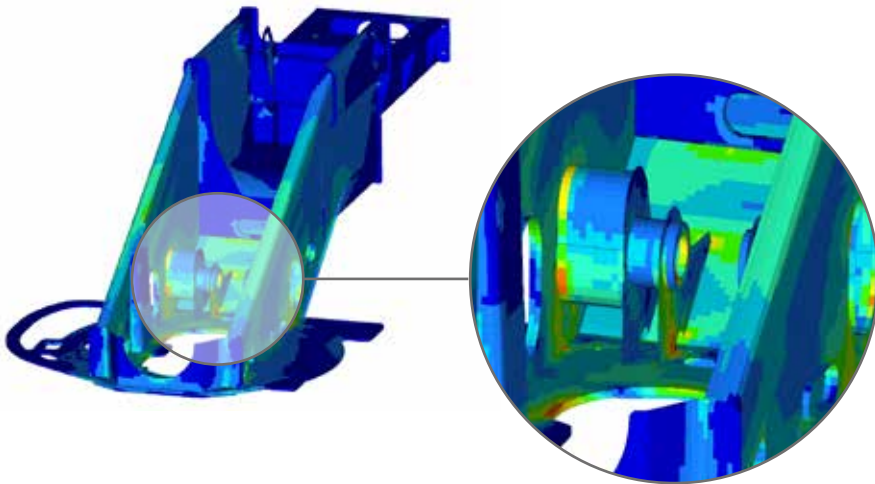
- Easy to transport and maneuver
- Only 9.8 ft width
- Four steering modes

WIDE RANGE OF OPTIONS

- Additional 2-section jib of 26/49 ft and single sheave
- Auxiliary winches
- Up to 4 cameras for enhanced visibility, integrated on main display
- T-Link Telematics platform
- Radio remote control

WORKS FOR YOU.™

THE STRONGEST STRUCTURE DESIGNED FOR HEAVY LIFTS



The strongest crane structure

Full crane structural and component FEM* analyses have been developed to deliver the best structural design, capable of delivering reliable performance, even in the most demanding applications.

*FEM: Finite Element Method

3 boom modes

The crane operator has the choice of three boom extension modes to meet different lifting needs.



Mode 1



Mode 2



Mode 3

4 steering modes

For superior maneuverability around the jobsite, the crane offers 4 different steering modes.



2 wheel-front



2 wheel-rear



4 wheel-concentric



4 wheel-grab

HIGH POWER, LOW FUEL CONSUMPTION WITH IMPROVED ENGINE DESIGN

Cummins QSB6.7 Tier 4 Final/Stage V engine

The Cummins QSB6.7 Tier 4 Final/Stage V 6-cylinder engine delivers high-performance speed and hoisting capabilities. The new *anti-stall control* precisely controls power and speed to offer the lowest fuel consumption.

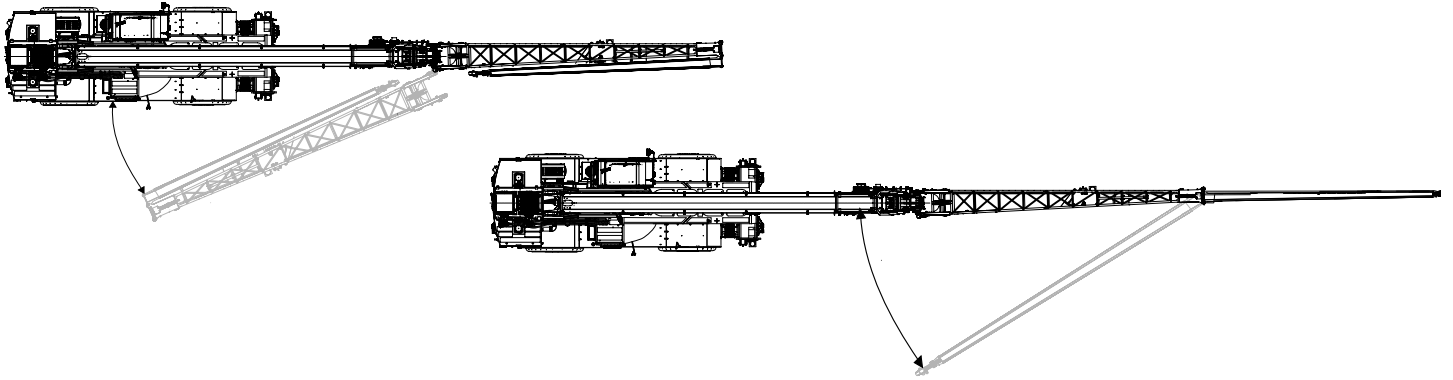
EcoMode: reduce fuel consumption

EcoMode employs automatic engine throttle to optimize power during crane operation and stand-by to lower fuel consumption.

WORKS FOR YOU.™

OPTIONAL 26/49-FT JIB.

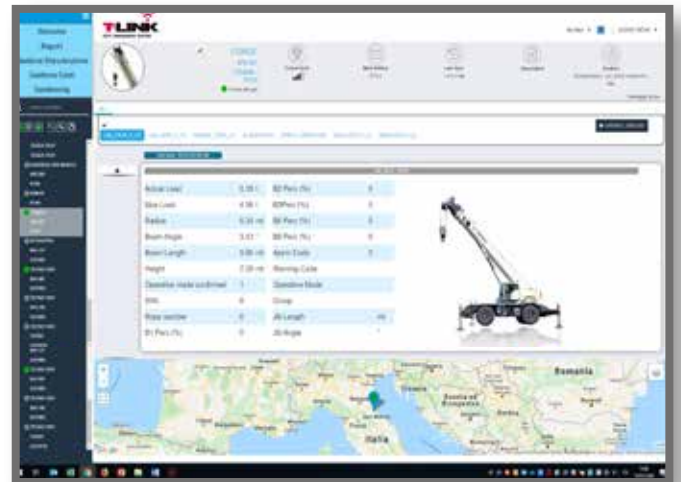
The TRT 80US features an optional 2-section jib with a 26-ft lattice main section and 23-ft secondary boxed section, providing a total length of 49 ft. Jibs are stowed on the crane's side and easily attached to the main boom.



T-LINK TELEMATICS PLATFORM

The T-Link Telematics Platform allows remote access of crane fleet operating data anytime, anywhere via the internet from your computer, smartphone or tablet.

- ▶ **Cost savings and increased of productivity**
Thanks to T-Link, cost savings and increased productivity can be achieved in all applications.
- ▶ **Better management of maintenance and technical assistance**
Remote monitoring delivers critical vehicle operating data and statistics. Routine maintenance can be scheduled more efficiently and unexpected issues are quickly addressed.
- ▶ **Fleet control**
Using the *Geofence* function, each crane's position is monitored, and the owner is notified in the event the crane leaves its set boundary.
- ▶ **Improved machine management, statistics and real-time data**
A wide range of *real-time operating data* and *fault-codes* are reported to assess fleet performance.
The machine's *Data logger* section collects detailed machine information, such as working hours, load lifting statistics, alarm history, etc.



WORKS FOR YOU.™



TEOS NEW TEOS OPERATING SYSTEM



The new **Terex Operating System TEOS** offers improved information flow and accessibility to increase operating efficiency.

▶ **10" full-color touch screen display**

The new user interface with wide 10" full-color touch screen display features self-explanatory and intuitive icons.

▶ **Intuitive navigation**

Based on extensive customer feedback, information access is quick and easy. The primary and most frequently used functions are immediately accessible, and intuitive controls ensure a short learning curve for new crane operators.

▶ **Diagnostics**

Error messages and warnings are within easy view for enhanced safety. A dedicated menu for diagnostics gives immediate feedback on crane, main component and sensor operating status.

▶ **Options included**

Optional cameras are incorporated in the main display: the operator has full control of the crane from all points of view via a single display. Status of the radio remote control and T-Link platform options can also be seen on the main display.



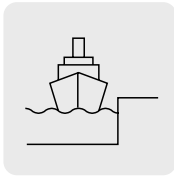
Customizable electro-proportional joysticks

As desired, the operator can customize the buttons and fine-tune the responsiveness of all crane movements – smoother or prompt reaction – to meet personal preferences. Multiple personal configurations can be saved.

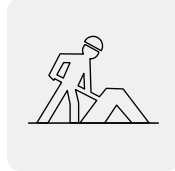
WORKS FOR YOU.™

KEY APPLICATIONS

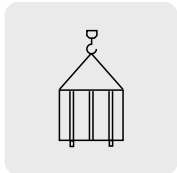
The versatility of our rough terrain cranes allow us to cater for a number of applications, including:



SHIPYARDS



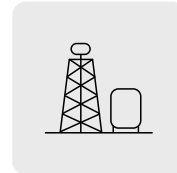
CONSTRUCTION



SHIPPING
& LOGISTICS



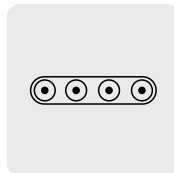
MILITARY



OIL & GAS



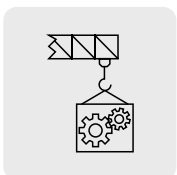
POWER
PLANTS



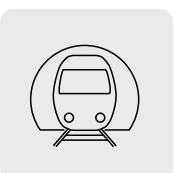
MOBILE
EQUIPMENT
COMMISSIONING



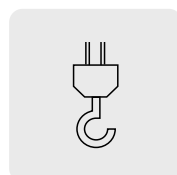
MATERIAL
HANDLING



MAINTENANCE
WORKS



ROADS & RAILWAYS
CONSTRUCTION



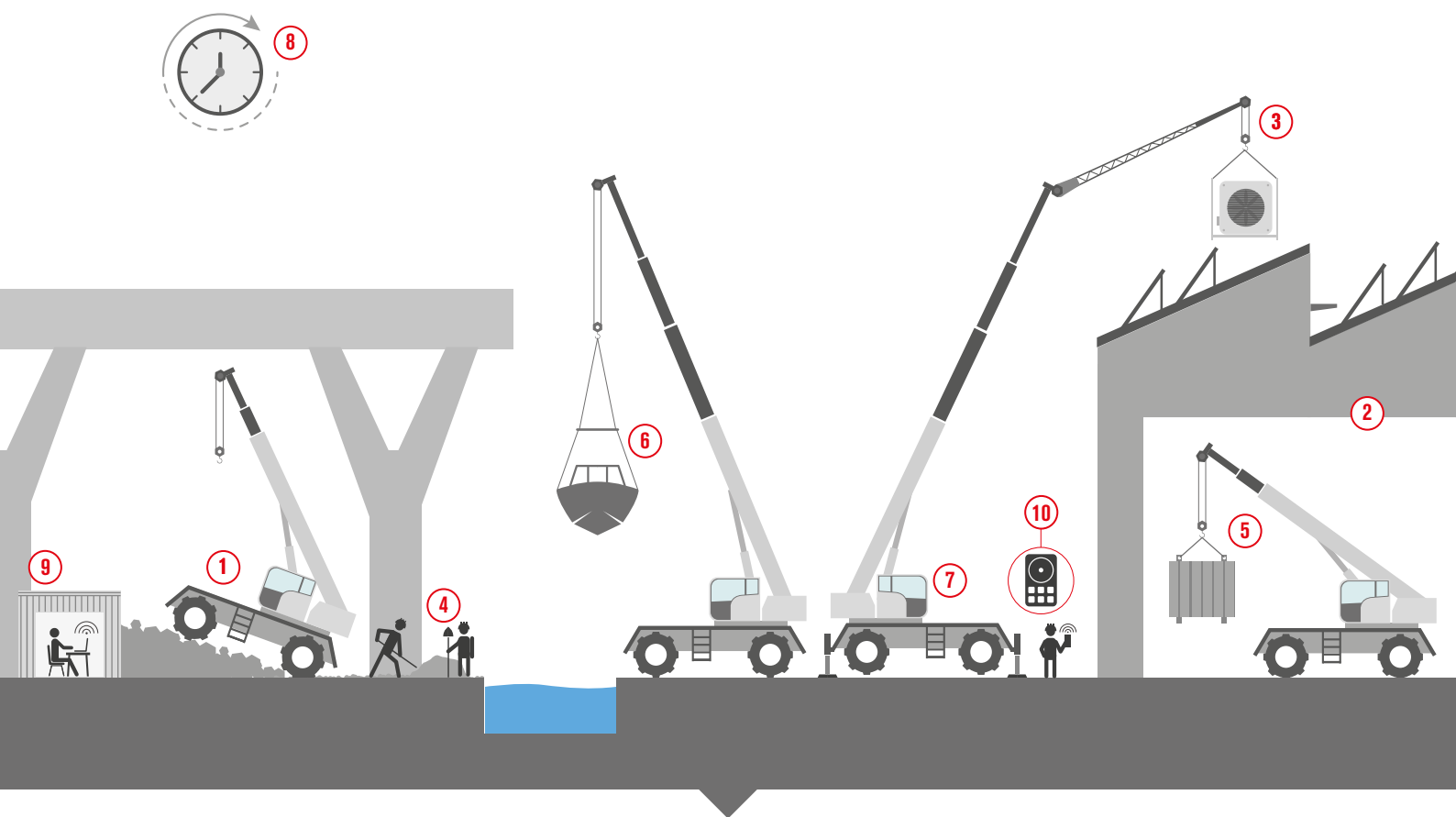
GENERAL
LIFTING
APPLICATIONS



MINING

WHY SHOULD YOU CHOOSE A TEREX RT?

- ▶ To work on undeveloped sites or with unpaved roads
- ▶ To work inside buildings or within limited spaces
- ▶ In need of a crane on site for more than a week
- ▶ Combination of pick and carry ability and high lifting performance on outriggers
- ▶ For new to experienced operators
- ▶ Multiple lifting requirements



TEREX ROUGH TERRAIN CRANES AT A GLANCE

1. No matter the ground type or condition, Terex RT are highly efficient; a real ALL Terrain crane
2. A versatile machine for indoor use thanks to its compact dimensions and zoning system
3. Jib availability to reach the more demanding spots on top of the buildings
4. No matter how crowded and narrow the lift area, you can always find the right safe spot
5. Pick and carry capability enables you to lift and carefully place loads at a distance
6. High lift capacity and compact crane dimensions, the perfect compromise
7. Single cabin design with an easy-to-use, intuitive control system
8. Increases the value of your investment over time
9. Terex T-Link telematics platform gives you the freedom to be in control of your fleet data anytime, anywhere
10. Remote control available to perform lifts

WORKS FOR YOU.™

TEREX ROUGH TERRAIN CRANES

Terex USA, LLC

3147 South 17th Street- Suite 100
Wilmington, NC 28412

Ph: 1-877-698-3739

Email: mktg.cranes@terex.com



www.terex.com/rough-terrain-cranes



Brochure Reference: RT-BR-I-E-TRT 80US -02/23

WORKS FOR YOU.™