



**TRT 70US**  
70 Ust capacity class  
Rough terrain crane  
Datasheet  
imperial



# TRT 70US

**WORKS FOR YOU.™**

# CONTENTS

TRT 70US

## INDICE

|  | Page · Página: |
|--|----------------|
| <b>Key</b> · Lejenda .....   | 3              |
| <b>Highlights</b> · Características destacadas .....                           | 4              |
| <b>Weights</b> · Pesos .....   | 5              |
| <b>Dimensions</b> · Dimensiones .....  | 6-7            |
| <b>Steering Radii</b> · Radios de dirección .....                              | 8-9            |
| <b>Range Graph – Main Boom</b> · Diagrama de carga .....                       | 10             |
| <b>Load Chart – Main Boom. US STANDARD ASME B30.5</b> · Tabla de carga .....   | 11-21          |
| <b>Range Graph – Jib</b> · Diagrama de carga .....                             | 22             |
| <b>Load Chart – Jib. US STANDARD ASME B30.5</b> · Tabla de carga .....         | 23             |
| <b>Technical Specifications</b> · Especificación técnica                       |                |
| <b>Boom</b> · Pluma .....  | 24             |
| <b>Hoist</b> · Cabrestante .....   | 24             |
| <b>Upper Structure</b> · Superestructura .....                                 | 24             |
| <b>Cab and Controls</b> · Cabina y controles .....                             | 25             |
| <b>Carrier</b> · Chasis .....  | 25-26          |
| <b>Vehicle Performance</b> · Prestaciones del vehículo.....                    | 26             |
| <b>Tires</b> · Neumáticos .....  | 26             |
| <b>Options</b> · Opciones .....  | 26-27          |
| <b>Notes to lifting capacity</b> · Notas sobre la capacidad de elevación ..... | 29             |

## LEJENDA

|   |  |   |   |
|---|--|---|---|
|    | <b>Counterweight</b> · Contrapeso  |    | <b>No. of lines</b> · No ramales  |
|    | <b>Main boom</b> · Pluma principal   |    | <b>Single hook</b> · Gancho simple  |
|    | <b>Boom length</b> · Longitud pluma  |    | <b>Performance</b> · Prestaciones   |
|    | <b>Boom extension</b> · Extensión  |    | <b>Boom elevation angle</b> · Ángulo elevación pluma  |
|    | <b>Tip height</b> · Altura de la punta   |    | <b>Working radius</b> · Radio de trabajo  |
|    | <b>Angular offsets</b> · Inclinación   |    | <b>Min. distance between hook block and boom head</b><br>Distancia mínima gancho a cabeza pluma |
|    | <b>Auxiliary head</b> · Cabeza auxiliar  |    | <b>Slewing locked</b> · Giro bloqueado  |
|    | <b>Slewing / Allowable range</b> · Giro / Rango admisible                                      |    | <b>Slewing gears</b> · Sistema de giro  |
|    | <b>Outriggers / Lifting on outriggers</b><br>Estabilizadores / Elevación sobre estabilizadores |    | <b>Lifting on wheels / Pick &amp; Carry</b><br>Elevación sobre ruedas / pick & carry            |
|    | <b>Main hoist</b> · Cabrestante principal  |    | <b>Auxiliary hoist</b> · Cabrestante auxiliar   |
|    | <b>Hoist speed</b> · Velocidad cabrestante   |    | <b>Rope length</b> · Longitud cable   |
|  | <b>Rope</b> · Cable  |  | <b>Line pull</b> · Tracción cable   |
|  | <b>Rope diameter</b> · Diámetro cable  |  | <b>Tires</b> · Neumáticos   |
|  | <b>Hook block</b> · Gancho   |  | <b>Engine</b> · Motor   |
|  | <b>Cab</b> · Cabina  |  | <b>Steering</b> · Dirección   |
|  | <b>Controls</b> · Controles  |  | <b>Speed</b> · Velocidad  |
|  | <b>Mechanical transmission</b> · Transmisión mecánica  |  | <b>Heating / Air conditioning</b> · Calefacción / Climatización                                 |
|  | <b>HYDR Hydraulics</b> · Sistema hidráulico  |  | <b>Gradeability</b> · Pendiente máx.  |
|  | <b>Operation temperature</b> · Temperatura de servicio   |  | <b>Gross vehicle weight</b> · Peso bruto vehículo   |
|  | <b>Lights</b> · Luces  |  | <b>Weight on front axle</b> · Peso eje delantero  |
|  | <b>Electric circuit</b> · Circuito eléctrico   |  | <b>Weight on rear axle</b> · Peso eje trasero   |
|  | <b>Crane / Crane in standard configuration</b><br>Grúa / Grúa configuración estándar           |  | <b>No. of sheaves</b> · Nº poleas   |
|  | <b>Crane without counterweight</b> · Grúa sin contrapeso                                       |  | <b>Rams-horn hook</b> · Aparejo gancho doble  |
|  | <b>Rated weight on hook block</b> · Carga nominal en gancho                                    |  | <b>Differential lock</b> · Bloqueo diferencial  |

# HIGHLIGHTS

## CARACTERÍSTICAS DESTACADAS

**TRT 70US**

▶ Rated capacity · Capacidad nominal:

70 USt at 8.2 ft working radius  
70 USt a 8.2 ft radio de trabajo

▶ Maximum main boom length · Longitud de pluma máx.:

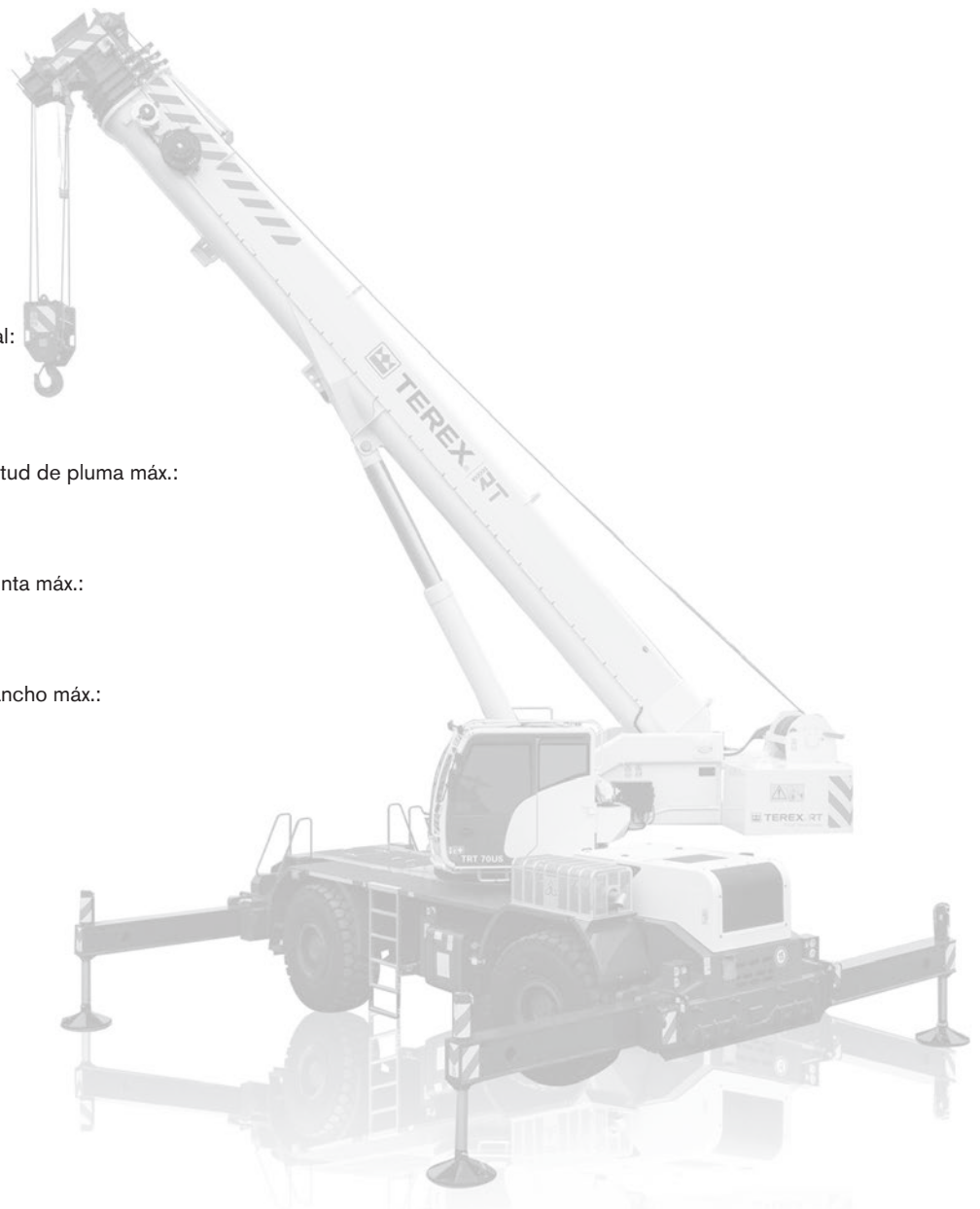
143 ft

▶ Maximum tip height · Altura de la punta máx.:

151 ft

▶ Maximum hook height · Altura de gancho máx.:


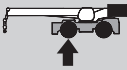
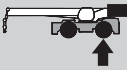
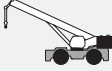





195 ft



# WEIGHTS

# TRT 70US

## PESOS

|  |  |  |  |
|--|--|---|---|
|  <b>Weight without hook block</b><br>Peso sin gancho  | 94,821 lbs   | 48,061 lbs  | 46,760 lbs  |
| <b>Add / Subtract for main optional equipment</b><br><b>Sumar / restar para equipamiento opcional principal</b>  |  |   |   |
|  <b>26 ft / 49 ft Jib stowed aside the boom</b><br>Lança almanecada lateralmente a la pluma | + 2646 lbs   | + 425 lbs   | - 1550 lbs  |
|  <b>2 Auxiliary hoist**</b><br>Cabrestante auxiliar   | + 2138 lbs   | - 425 lbs   | + 2564 lbs  |
|  <b>70 USt Single hook*</b><br>Gancho simple  | + 1455 lbs   | + 2531 lbs  | - 1076 lbs  |
|  <b>22 USt Single hook*</b><br>Gancho simple  | + 661 lbs  | + 1151 lbs  | - 489 lbs   |
|  <b>11 USt Single hook*</b><br>Gancho simple   | + 397 lbs  | + 690 lbs   | - 293 lbs   |

NOTE: Values are subject to 2% variation · NOTA: Valores sujetos a una variación del 2%

\* Weight distribution calculated considering the hook block linked to the front shield of the machine ·  
Distribución de pesos calculada considerando el gancho asegurado al protector frontal

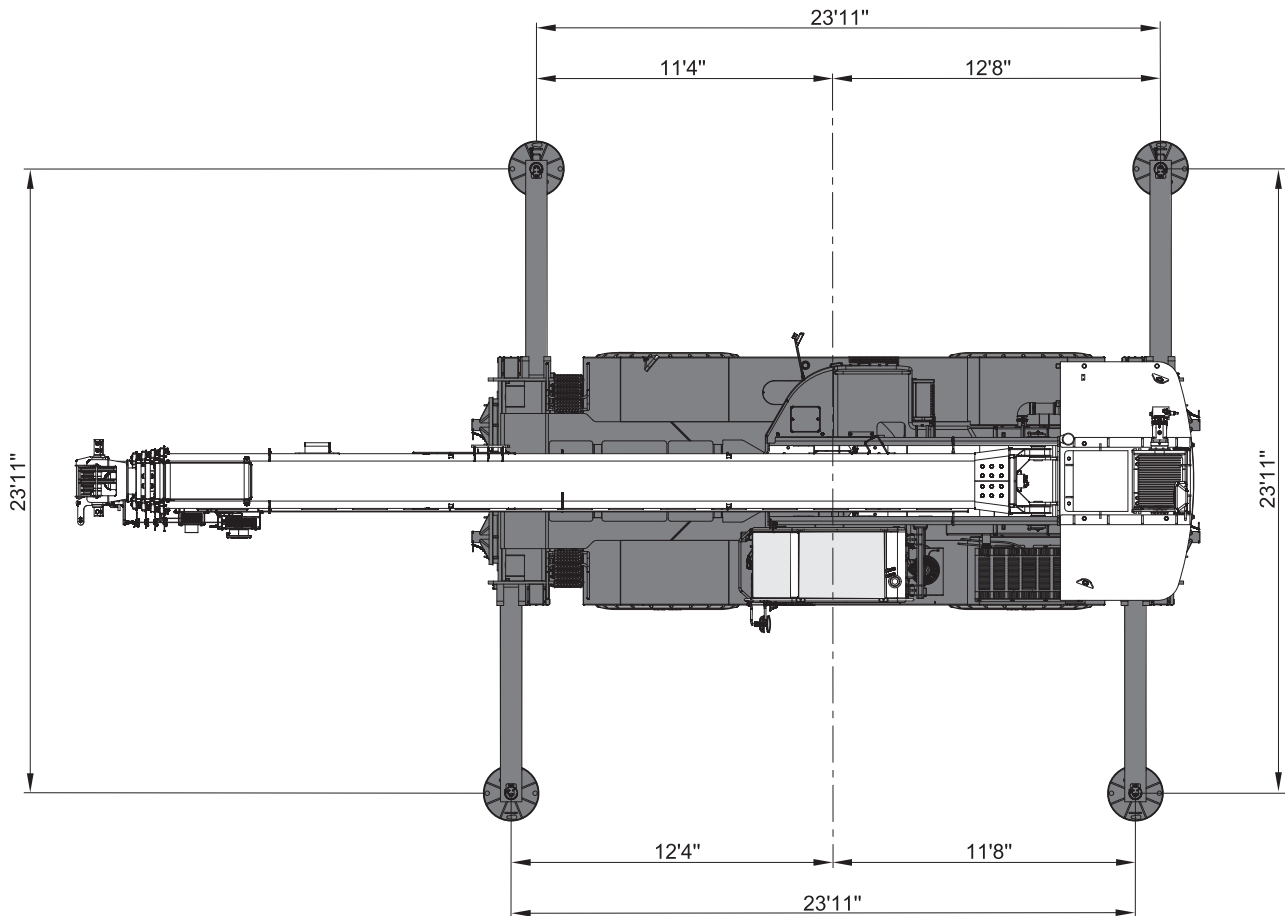
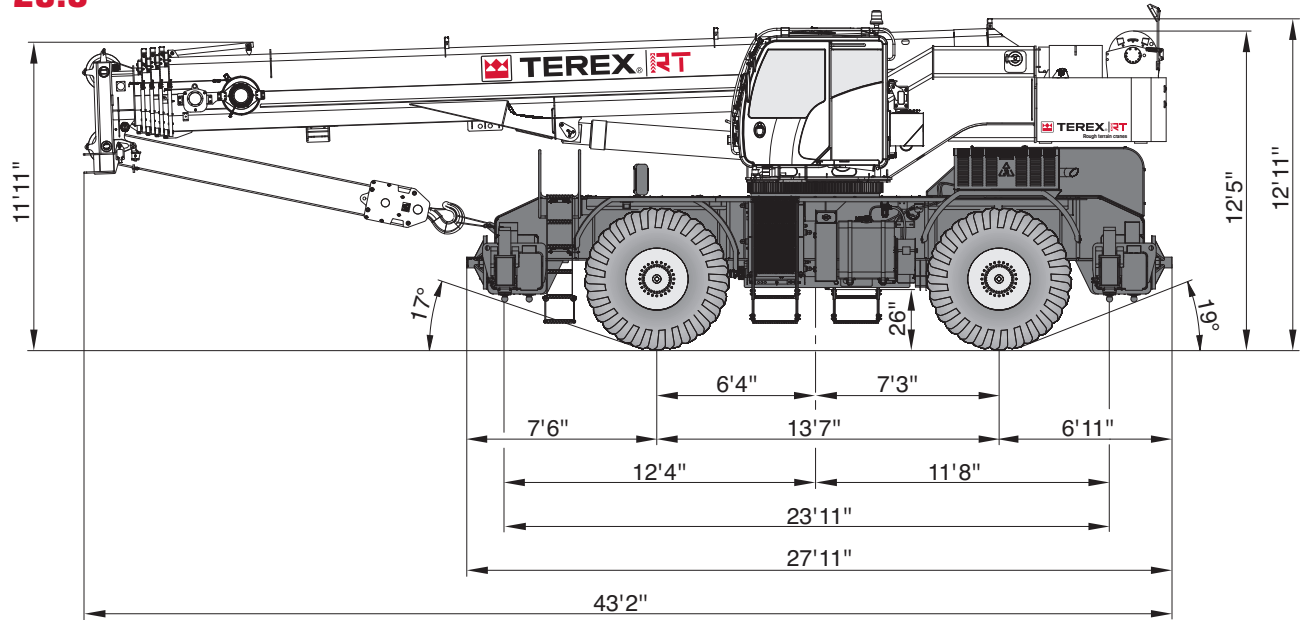
\*\* When the auxiliary hoist is installed, the additional counterweight of same weight is removed ·  
Cuando se instala el cabrestante auxiliar, se retira el contrapeso adicional del mismo peso

# DIMENSIONS

# TRT 70US

## DIMENSIONES

### 23.5

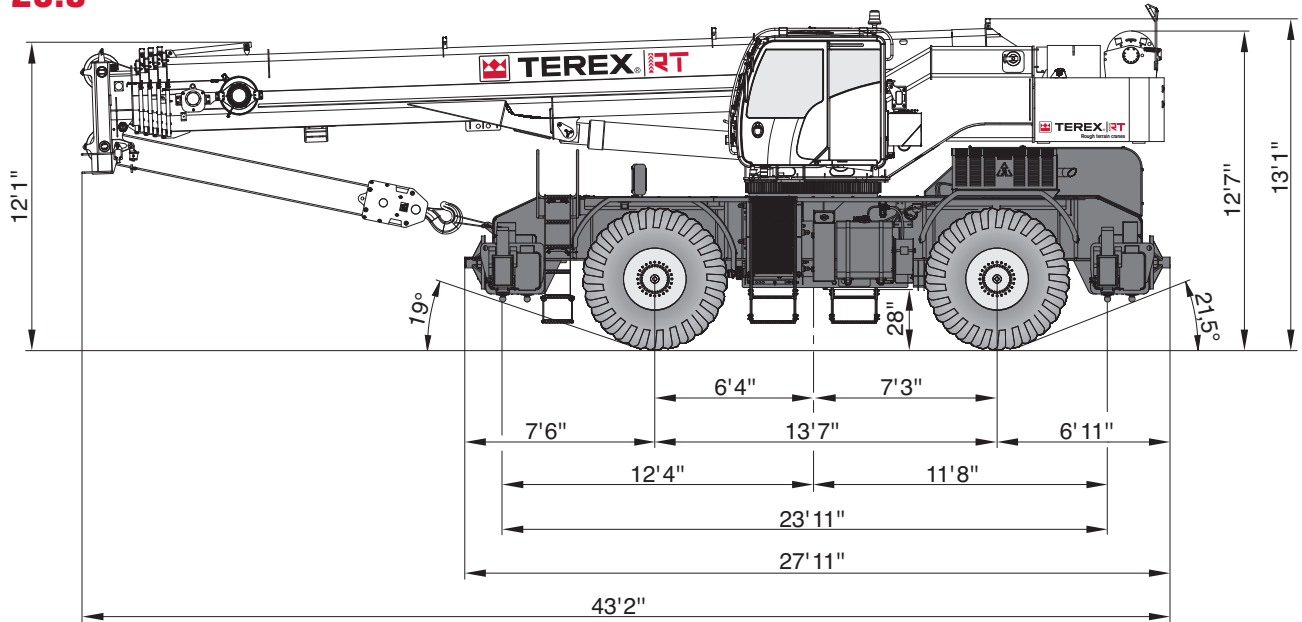


# DIMENSIONS

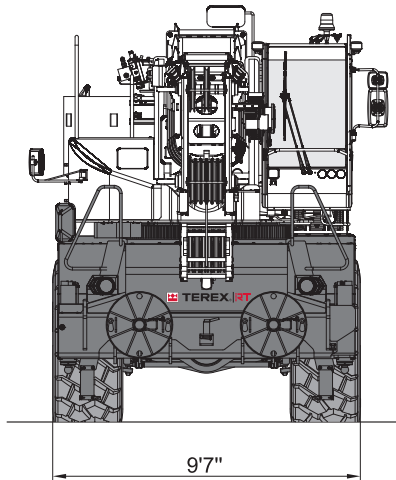
# TRT 70US

## DIMENSIONES

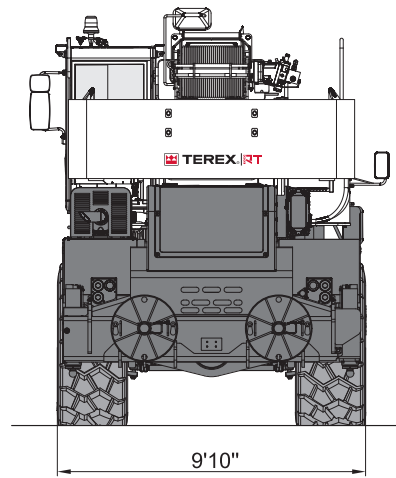
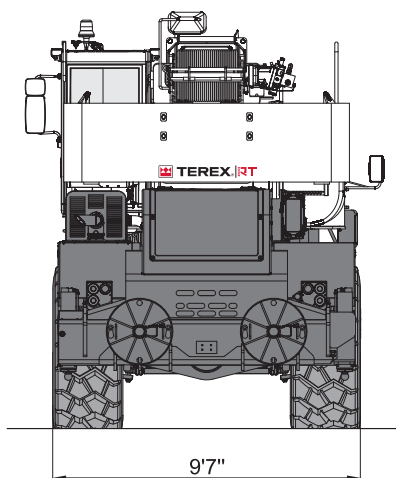
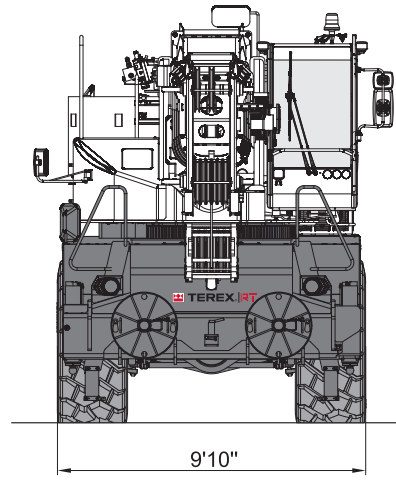
### 26.5



### 23.5



### 26.5

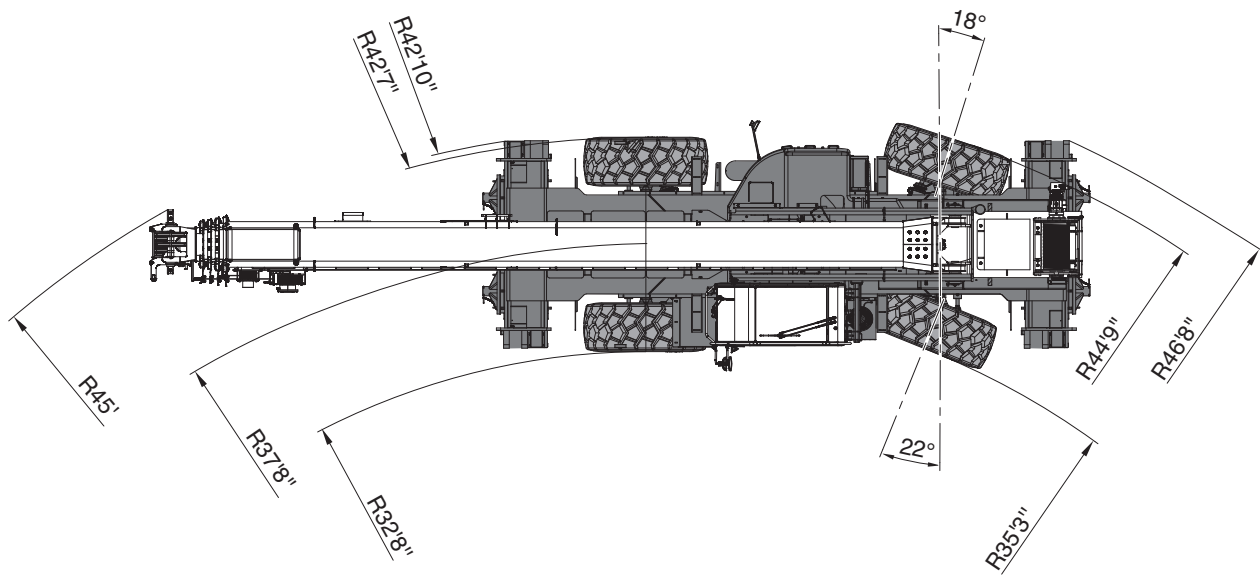
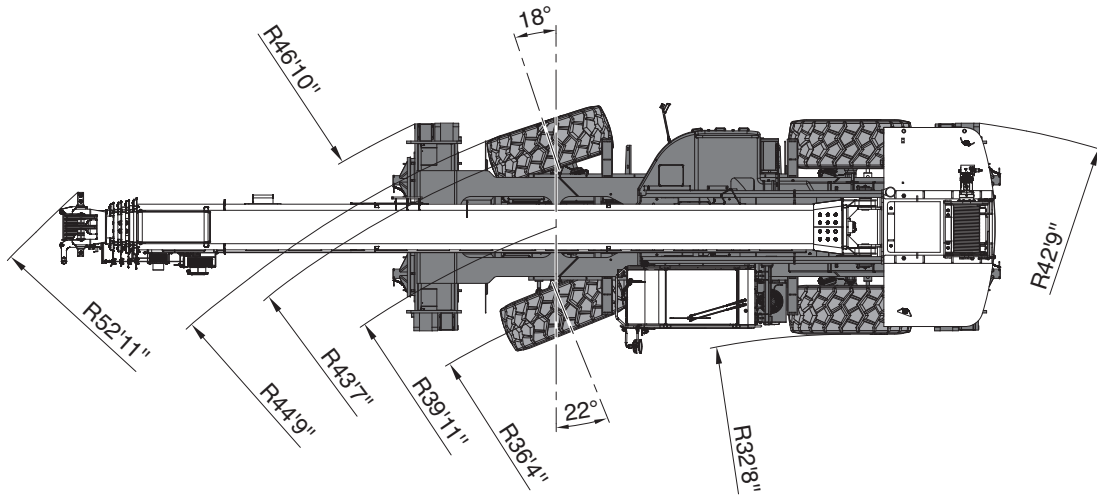


# STEERING RADII

RADIOS DE DIRECCIÓN

TRT 70US

Two wheel steer · Dirección en dos ruedas



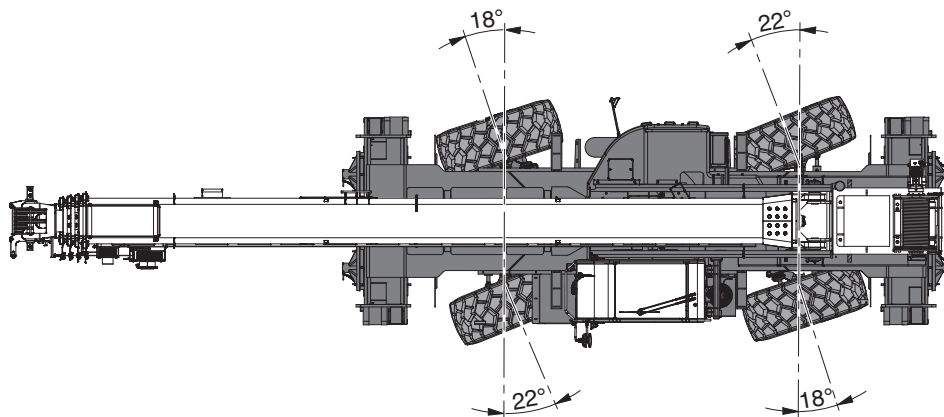
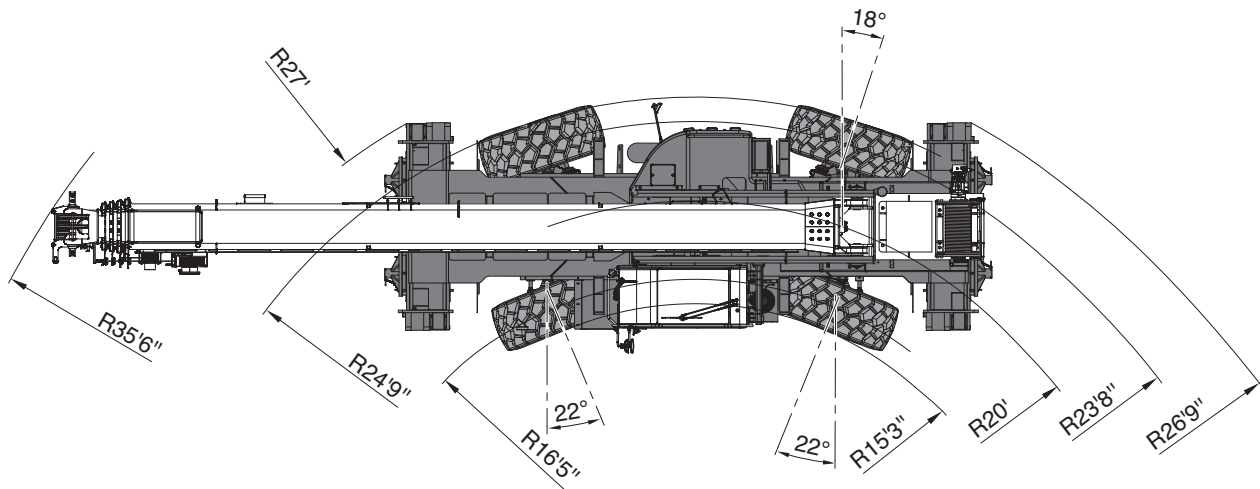


# STEERING RADII

RADIOS DE DIRECCIÓN

TRT 70US

Four wheel steer · Dirección en cuatro ruedas

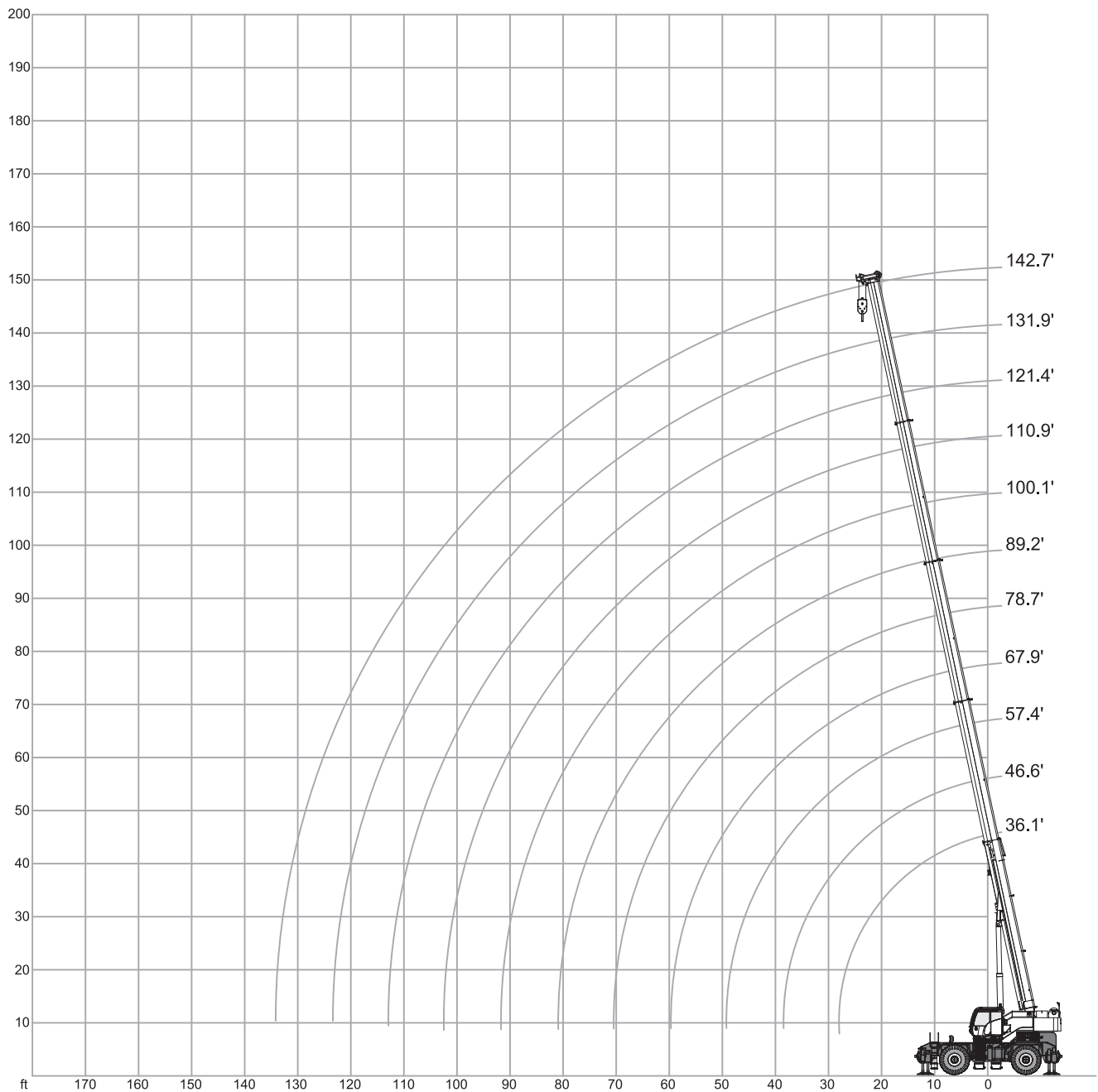
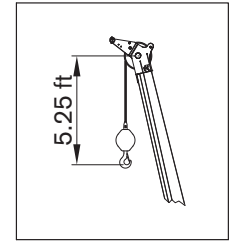
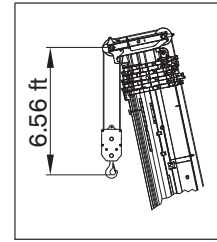


# RANGE GRAPH – MAIN BOOM

**TRT 70US**

DIAGRAMA DE CARGA

**Mode 3:  
Proportional - Proporcional**



# LOAD CHART – MAIN BOOM US STANDARD ASME B30.5

**TRT 70US**

TABLA DE CARGA

**Outriggers · Estabilizadores 100 %**

**Mode 1:  
Stability · Estabilidad**



|       |       | 13,230 lbs |         | 24.0 ft x 24.0 ft |         | 360°     |          | US STANDARD ASME B30.5 |          |          |       |     |
|-------|-------|------------|---------|-------------------|---------|----------|----------|------------------------|----------|----------|-------|-----|
|       |       |            |         |                   |         |          |          |                        |          |          |       |     |
|       |       | 36.1 ft    | 56.1 ft | 76.1 ft           | 96.1 ft | 116.1 ft | 122.7 ft | 129.3 ft               | 136.2 ft | 142.7 ft |       |     |
|       |       | kip        | kip     | kip               | kip     | kip      | kip      | kip                    | kip      | kip      |       |     |
| ft    | kip   | kip        | kip     | kip               | kip     | kip      | kip      | kip                    | kip      | kip      | ft    | kip |
| 8.2   | 140.0 | 41.0       | -       | -                 | -       | -        | -        | -                      | -        | -        | 8.2   | -   |
| 9.8   | 132.4 | 41.5       | -       | -                 | -       | -        | -        | -                      | -        | -        | 9.8   | -   |
| 11.5  | 118.0 | 41.7       | 40.8    | -                 | -       | -        | -        | -                      | -        | -        | 11.5  | -   |
| 13.1  | 108.1 | 42.1       | 41.0    | -                 | -       | -        | -        | -                      | -        | -        | 13.1  | -   |
| 14.8  | 99.5  | 42.6       | 41.3    | 40.8              | -       | -        | -        | -                      | -        | -        | 14.8  | -   |
| 16.4  | 92.0  | 43.0       | 41.5    | 41.0              | -       | -        | -        | -                      | -        | -        | 16.4  | -   |
| 19.7  | 79.9  | 44.3       | 42.1    | 38.6              | 30.2    | 29.8     | -        | -                      | -        | -        | 19.7  | -   |
| 23.0  | 70.2  | 46.1       | 41.5    | 34.2              | 29.8    | 29.8     | 29.3     | 24.5                   | -        | -        | 23.0  | -   |
| 26.2  | 61.1  | 51.2       | 37.5    | 30.9              | 27.4    | 28.7     | 29.3     | 24.7                   | 22.4     | -        | 26.2  | -   |
| 29.5  | -     | 45.9       | 34.0    | 28.0              | 24.8    | 26.0     | 27.6     | 22.9                   | 21.6     | -        | 29.5  | -   |
| 32.8  | -     | 38.8       | 31.8    | 25.8              | 22.5    | 23.8     | 25.1     | 21.0                   | 20.1     | -        | 32.8  | -   |
| 36.1  | -     | 32.6       | 29.3    | 23.6              | 20.5    | 21.7     | 23.2     | 18.9                   | 18.2     | -        | 36.1  | -   |
| 39.4  | -     | 27.9       | 27.0    | 21.8              | 18.8    | 20.0     | 21.2     | 17.2                   | 16.3     | -        | 39.4  | -   |
| 45.9  | -     | 21.0       | 21.8    | 18.8              | 15.7    | 17.2     | 18.1     | 14.1                   | 13.5     | -        | 45.9  | -   |
| 52.5  | -     | -          | 17.2    | 15.9              | 13.6    | 14.4     | 15.6     | 11.8                   | 11.3     | -        | 52.5  | -   |
| 59.1  | -     | -          | 13.7    | 14.0              | 11.8    | 12.7     | 13.2     | 10.1                   | 9.5      | -        | 59.1  | -   |
| 65.6  | -     | -          | 11.0    | 11.5              | 10.4    | 11.0     | 10.8     | 8.6                    | 8.1      | -        | 65.6  | -   |
| 72.2  | -     | -          | -       | 9.5               | 9.0     | 9.3      | 8.8      | 7.3                    | 6.7      | -        | 72.2  | -   |
| 78.7  | -     | -          | -       | 7.9               | 8.2     | 7.7      | 7.3      | 6.2                    | 5.7      | -        | 78.7  | -   |
| 85.3  | -     | -          | -       | 6.6               | 6.8     | 6.4      | 6.1      | 5.4                    | 4.7      | -        | 85.3  | -   |
| 91.9  | -     | -          | -       | -                 | 5.7     | 5.4      | 5.0      | 4.5                    | 4.0      | -        | 91.9  | -   |
| 98.4  | -     | -          | -       | -                 | 4.9     | 4.4      | 4.1      | 3.8                    | 3.3      | -        | 98.4  | -   |
| 105.0 | -     | -          | -       | -                 | 4.0     | 3.6      | 3.3      | 2.9                    | 2.5      | -        | 105.0 | -   |
| 111.5 | -     | -          | -       | -                 | -       | 3.0      | 2.5      | 2.2                    | 1.9      | -        | 111.5 | -   |
| 118.1 | -     | -          | -       | -                 | -       | -        | 2.0      | 1.5                    | 1.3      | -        | 118.1 | -   |
| 124.7 | -     | -          | -       | -                 | -       | -        | -        | 1.1                    | 0.8      | -        | 124.7 | -   |
| 131.2 | -     | -          | -       | -                 | -       | -        | -        | -                      | -        | -        | 131.2 | -   |

Main counterweight: 13,230 lbs · Contrapeso principal: 13,230 lbs

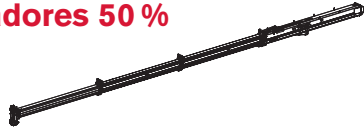
# LOAD CHART – MAIN BOOM US STANDARD ASME B30.5







TRT 70US

TABLA DE CARGA

Outriggers - Estabilizadores 50 %

Mode 1:  
Stability - Estabilidad



|       |    |  13,230 lbs |         |  16.4 ft x 24.0 ft |         |  360° |          | US STANDARD<br>ASME B30.5 |          |          |   |       |
|-------|----|--|---------|---|---------|--|----------|---------------------------|----------|----------|---|-------|
|       |    |             |         |   |         |  |          |                           |          |          |   |       |
|       |    |             |         |   |         |  |          |                           |          |          |   |       |
|       |    |           |         |   |         |  |          |                           |          |          |   |       |
|       |    | 36.1 ft  | 56.1 ft | 76.1 ft   | 96.1 ft | 116.1 ft   | 122.7 ft | 129.3 ft                  | 136.2 ft | 142.7 ft |   |       |
|       |    | kip  | kip     | kip   | kip     | kip  | kip      | kip                       | kip      | kip      |   |       |
| 8.2   | ft | 140.0  | 41.0    | -   | -       | -  | -        | -                         | -        | -        | - | 8.2   |
| 9.8   | ft | 132.4  | 41.5    | -   | -       | -  | -        | -                         | -        | -        | - | 9.8   |
| 11.5  | ft | 118.0  | 41.7    | 40.8  | -       | -  | -        | -                         | -        | -        | - | 11.5  |
| 13.1  | ft | 108.1  | 42.1    | 41.0  | -       | -  | -        | -                         | -        | -        | - | 13.1  |
| 14.8  | ft | 99.5   | 42.6    | 41.3  | 40.8    | -  | -        | -                         | -        | -        | - | 14.8  |
| 16.4  | ft | 92.0   | 43.0    | 41.5  | 41.0    | -  | -        | -                         | -        | -        | - | 16.4  |
| 19.7  | ft | 79.9   | 44.3    | 42.1  | 38.6    | 30.2   | 29.8     | -                         | -        | -        | - | 19.7  |
| 23.0  | ft | 70.2   | 39.4    | 41.5  | 34.2    | 29.8   | 29.8     | 29.3                      | 24.5     | -        | - | 23.0  |
| 26.2  | ft | 61.1   | 34.2    | 31.5  | 30.9    | 27.4   | 28.7     | 29.3                      | 24.7     | 22.4     | - | 26.2  |
| 29.5  | ft | -  | 27.9    | 28.5  | 28.0    | 24.7   | 26.0     | 27.6                      | 22.9     | 21.6     | - | 29.5  |
| 32.8  | ft | -  | 23.2    | 23.8  | 21.7    | 22.5   | 23.8     | 20.7                      | 21.0     | 20.1     | - | 32.8  |
| 36.1  | ft | -  | 19.5    | 20.4  | 20.6    | 20.5   | 18.1     | 17.5                      | 18.9     | 18.2     | - | 36.1  |
| 39.4  | ft | -  | 14.6    | 17.4  | 17.8    | 16.1   | 17.4     | 16.9                      | 14.7     | 13.9     | - | 39.4  |
| 45.9  | ft | -  | 10.7    | 11.5  | 11.8    | 12.0   | 11.5     | 11.0                      | 10.6     | 10.3     | - | 45.9  |
| 52.5  | ft | -  | -       | 8.7   | 9.0     | 9.3  | 8.8      | 8.4                       | 7.9      | 7.6      | - | 52.5  |
| 59.1  | ft | -  | -       | 6.6   | 7.1     | 7.3  | 6.8      | 6.4                       | 6.0      | 5.6      | - | 59.1  |
| 65.6  | ft | -  | -       | 5.1   | 5.5     | 5.7  | 5.3      | 4.9                       | 4.4      | 4.2      | - | 65.6  |
| 72.2  | ft | -  | -       | -   | 4.2     | 4.4  | 4.0      | 3.6                       | 3.2      | 2.9      | - | 72.2  |
| 78.7  | ft | -  | -       | -   | 3.2     | 3.4  | 3.0      | 2.5                       | 2.2      | 1.9      | - | 78.7  |
| 85.3  | ft | -  | -       | -   | 2.2     | 2.5  | 2.1      | 1.8                       | 1.3      | 1.0      | - | 85.3  |
| 91.9  | ft | -  | -       | -   | -       | 1.8  | 1.3      | 1.0                       | 0.7      | -        | - | 91.9  |
| 98.4  | ft | -  | -       | -   | -       | 1.2  | 0.8      | -                         | -        | -        | - | 98.4  |
| 105.0 | ft | -  | -       | -   | -       | 0.7  | -        | -                         | -        | -        | - | 105.0 |

Main counterweight: 13,230 lbs · Contrapeso principal: 13,230 lbs



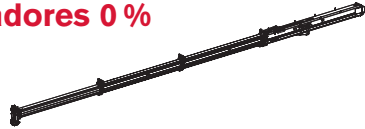
# LOAD CHART – MAIN BOOM US STANDARD ASME B30.5

**TRT 70US**

TABLA DE CARGA

**Outriggers · Estabilizadores 0 %**

**Mode 1:  
Stability · Estabilidad**



|      |       | 13,230 lbs |         | 8.8 ft x 24.0 ft |         | 360°     |          | US STANDARD<br>ASME B30.5 |          |          |      |
|------|-------|------------|---------|------------------|---------|----------|----------|---------------------------|----------|----------|------|
|      |       | 36.1 ft    | 56.1 ft | 76.1 ft          | 96.1 ft | 116.1 ft | 122.7 ft | 129.3 ft                  | 136.2 ft | 142.7 ft |      |
| ft   | kip   | kip        | kip     | kip              | kip     | kip      | kip      | kip                       | kip      | kip      | ft   |
| 8.2  | 109.2 | 41.0       | -       | -                | -       | -        | -        | -                         | -        | -        | 8.2  |
| 9.8  | 80.7  | 41.5       | -       | -                | -       | -        | -        | -                         | -        | -        | 9.8  |
| 11.5 | 62.0  | 41.7       | 40.8    | -                | -       | -        | -        | -                         | -        | -        | 11.5 |
| 13.1 | 49.4  | 42.1       | 41.0    | -                | -       | -        | -        | -                         | -        | -        | 13.1 |
| 14.8 | 35.8  | 37.5       | 41.3    | 40.8             | -       | -        | -        | -                         | -        | -        | 14.8 |
| 16.4 | 29.9  | 35.4       | 35.8    | 34.4             | -       | -        | -        | -                         | -        | -        | 16.4 |
| 19.7 | 21.6  | 23.4       | 24.0    | 26.3             | 25.8    | 24.3     | -        | -                         | -        | -        | 19.7 |
| 23.0 | 16.2  | 18.0       | 18.6    | 21.1             | 20.2    | 19.1     | 18.1     | 17.4                      | -        | -        | 23.0 |
| 26.2 | 12.0  | 13.9       | 14.9    | 15.2             | 16.5    | 15.4     | 14.4     | 14.0                      | 13.3     | -        | 26.2 |
| 29.5 | -     | 11.1       | 11.8    | 12.2             | 13.8    | 12.8     | 11.9     | 11.4                      | 10.7     | -        | 29.5 |
| 32.8 | -     | 8.9        | 9.7     | 10.0             | 10.3    | 10.8     | 9.9      | 9.4                       | 8.7      | -        | 32.8 |
| 36.1 | -     | 7.2        | 7.9     | 8.3              | 8.5     | 8.1      | 8.3      | 7.8                       | 7.2      | -        | 36.1 |
| 39.4 | -     | 5.8        | 6.5     | 6.9              | 7.2     | 6.6      | 6.9      | 6.5                       | 5.8      | -        | 39.4 |
| 45.9 | -     | 3.6        | 4.4     | 4.7              | 5.0     | 4.5      | 4.1      | 3.8                       | 3.9      | -        | 45.9 |
| 52.5 | -     | -          | 2.8     | 3.2              | 3.4     | 3.0      | 2.5      | 2.2                       | 1.9      | -        | 52.5 |
| 59.1 | -     | -          | 1.5     | 2.0              | 2.2     | 1.8      | 1.4      | 1.1                       | 0.7      | -        | 59.1 |
| 65.6 | -     | -          | -       | 1.0              | 1.2     | 0.9      | -        | -                         | -        | -        | 65.6 |

Main counterweight: 13,230 lbs · Contrapeso principal: 13,230 lbs

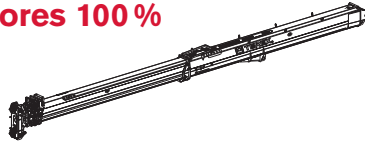
# LOAD CHART – MAIN BOOM US STANDARD ASME B30.5

**TRT 70US**

TABLA DE CARGA

**Outriggers · Estabilizadores 100 %**

**Mode 2:  
Strength · Resistencia**



|       |    | 13,230 lbs |       | 24.0 ft x 24.0 ft |      | 360°    |      | US STANDARD<br>ASME B30.5 |      |         |   |         |   |          |   |          |   |          |   |       |
|-------|----|------------|-------|-------------------|------|---------|------|---------------------------|------|---------|---|---------|---|----------|---|----------|---|----------|---|-------|
|       |    | 36.1 ft    |       | 42.7 ft           |      | 49.5 ft |      | 56.1 ft                   |      | 62.7 ft |   | 82.7 ft |   | 102.7 ft |   | 122.7 ft |   | 142.7 ft |   |       |
|       |    | kip        |       | kip               |      | kip     |      | kip                       |      | kip     |   | kip     |   | kip      |   | kip      |   | kip      |   |       |
| 8.2   | ft | 140.0      | 113.6 | 112.1             | 83.8 | 77.9    | -    | -                         | -    | -       | - | -       | - | -        | - | -        | - | -        | - | 8.2   |
| 9.8   | ft | 132.4      | 117.8 | 113.4             | 76.7 | 70.6    | -    | -                         | -    | -       | - | -       | - | -        | - | -        | - | -        | - | 9.8   |
| 11.5  | ft | 118.0      | 117.4 | 114.7             | 70.2 | 64.9    | 40.6 | -                         | -    | -       | - | -       | - | -        | - | -        | - | -        | - | 11.5  |
| 13.1  | ft | 108.1      | 107.4 | 103.7             | 65.0 | 59.7    | 40.8 | -                         | -    | -       | - | -       | - | -        | - | -        | - | -        | - | 13.1  |
| 14.8  | ft | 99.5       | 98.8  | 94.9              | 60.2 | 55.2    | 41.0 | -                         | -    | -       | - | -       | - | -        | - | -        | - | -        | - | 14.8  |
| 16.4  | ft | 92.0       | 91.5  | 88.2              | 56.0 | 51.2    | 41.3 | 40.1                      | -    | -       | - | -       | - | -        | - | -        | - | -        | - | 16.4  |
| 19.7  | ft | 79.9       | 79.2  | 75.5              | 49.2 | 44.6    | 39.0 | 35.5                      | 32.6 | -       | - | -       | - | -        | - | -        | - | -        | - | 19.7  |
| 23.0  | ft | 70.2       | 69.5  | 65.1              | 43.5 | 39.3    | 34.3 | 31.8                      | 29.7 | -       | - | -       | - | -        | - | -        | - | -        | - | 23.0  |
| 26.2  | ft | 61.1       | 56.0  | 54.7              | 38.8 | 34.9    | 30.6 | 28.0                      | 26.3 | 22.4    | - | -       | - | -        | - | -        | - | -        | - | 26.2  |
| 29.5  | ft | -          | 44.1  | 42.8              | 34.9 | 31.1    | 27.2 | 25.0                      | 23.6 | 21.6    | - | -       | - | -        | - | -        | - | -        | - | 29.5  |
| 32.8  | ft | -          | 35.7  | 34.7              | 31.5 | 28.0    | 24.5 | 22.5                      | 21.2 | 20.1    | - | -       | - | -        | - | -        | - | -        | - | 32.8  |
| 36.1  | ft | -          | -     | 28.7              | 28.2 | 25.3    | 22.1 | 20.3                      | 19.1 | 18.2    | - | -       | - | -        | - | -        | - | -        | - | 36.1  |
| 39.4  | ft | -          | -     | 24.0              | 23.5 | 22.8    | 20.1 | 18.4                      | 17.3 | 16.3    | - | -       | - | -        | - | -        | - | -        | - | 39.4  |
| 45.9  | ft | -          | -     | -                 | 16.9 | 16.1    | 16.2 | 14.9                      | 14.1 | 13.5    | - | -       | - | -        | - | -        | - | -        | - | 45.9  |
| 52.5  | ft | -          | -     | -                 | -    | 11.9    | 13.5 | 12.5                      | 11.8 | 11.3    | - | -       | - | -        | - | -        | - | -        | - | 52.5  |
| 59.1  | ft | -          | -     | -                 | -    | -       | 10.6 | 10.5                      | 9.9  | 9.5     | - | -       | - | -        | - | -        | - | -        | - | 59.1  |
| 65.6  | ft | -          | -     | -                 | -    | -       | 8.2  | 8.9                       | 8.4  | 8.1     | - | -       | - | -        | - | -        | - | -        | - | 65.6  |
| 72.2  | ft | -          | -     | -                 | -    | -       | 6.3  | 7.4                       | 7.1  | 6.7     | - | -       | - | -        | - | -        | - | -        | - | 72.2  |
| 78.7  | ft | -          | -     | -                 | -    | -       | -    | 5.7                       | 6.0  | 5.7     | - | -       | - | -        | - | -        | - | -        | - | 78.7  |
| 85.3  | ft | -          | -     | -                 | -    | -       | -    | 4.4                       | 5.1  | 4.7     | - | -       | - | -        | - | -        | - | -        | - | 85.3  |
| 91.9  | ft | -          | -     | -                 | -    | -       | -    | 3.3                       | 4.0  | 4.0     | - | -       | - | -        | - | -        | - | -        | - | 91.9  |
| 98.4  | ft | -          | -     | -                 | -    | -       | -    | -                         | 3.1  | 3.3     | - | -       | - | -        | - | -        | - | -        | - | 98.4  |
| 105.0 | ft | -          | -     | -                 | -    | -       | -    | -                         | 2.2  | 2.5     | - | -       | - | -        | - | -        | - | -        | - | 105.0 |
| 111.5 | ft | -          | -     | -                 | -    | -       | -    | -                         | 1.5  | 1.9     | - | -       | - | -        | - | -        | - | -        | - | 111.5 |
| 118.1 | ft | -          | -     | -                 | -    | -       | -    | -                         | -    | 1.3     | - | -       | - | -        | - | -        | - | -        | - | 118.1 |
| 124.7 | ft | -          | -     | -                 | -    | -       | -    | -                         | -    | 0.8     | - | -       | - | -        | - | -        | - | -        | - | 124.7 |
| 131.2 | ft | -          | -     | -                 | -    | -       | -    | -                         | -    | -       | - | -       | - | -        | - | -        | - | -        | - | 131.2 |

Main counterweight: 13,230 lbs · Contrapeso principal: 13,230 lbs



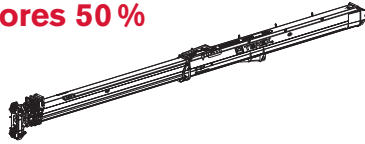
# LOAD CHART – MAIN BOOM US STANDARD ASME B30.5

**TRT 70US**

TABLA DE CARGA

**Outriggers · Estabilizadores 50 %**

**Mode 2:  
Strength · Resistencia**



|      |       | 13,230 lbs |       | 16.4 ft x 24.0 ft |      | 360°     |      | US STANDARD ASME B30.5 |      |         |      |
|------|-------|------------|-------|-------------------|------|----------|------|------------------------|------|---------|------|
|      |       | 36.1 ft    |       | 42.7 ft           |      | 49.5 ft  |      | 56.1 ft                |      | 62.7 ft |      |
|      |       | 82.7 ft    |       | 102.7 ft          |      | 122.7 ft |      | 142.7 ft               |      |         |      |
| ft   | kip   | kip        | kip   | kip               | kip  | kip      | kip  | kip                    | kip  | kip     | ft   |
| 8.2  | 140.0 | 113.6      | 112.1 | 83.8              | 77.9 | -        | -    | -                      | -    | -       | 8.2  |
| 9.8  | 132.4 | 117.8      | 113.4 | 76.5              | 70.6 | -        | -    | -                      | -    | -       | 9.8  |
| 11.5 | 118.0 | 117.4      | 114.7 | 70.2              | 64.9 | 40.6     | -    | -                      | -    | -       | 11.5 |
| 13.1 | 108.1 | 107.4      | 103.7 | 64.9              | 59.6 | 40.8     | -    | -                      | -    | -       | 13.1 |
| 14.8 | 99.5  | 98.8       | 94.9  | 60.2              | 55.2 | 41.0     | -    | -                      | -    | -       | 14.8 |
| 16.4 | 92.0  | 78.1       | 75.9  | 56.0              | 51.2 | 41.3     | 40.1 | -                      | -    | -       | 16.4 |
| 19.7 | 79.9  | 53.8       | 52.5  | 49.2              | 44.6 | 39.0     | 35.5 | 32.6                   | -    | -       | 19.7 |
| 23.0 | 70.2  | 39.9       | 38.8  | 37.9              | 33.5 | 34.3     | 31.8 | 29.6                   | -    | -       | 23.0 |
| 26.2 | 61.1  | 31.1       | 30.2  | 26.0              | 25.6 | 30.4     | 28.0 | 26.3                   | 22.4 | -       | 26.2 |
| 29.5 | -     | 22.1       | 21.3  | 20.6              | 20.1 | 22.1     | 24.9 | 23.6                   | 21.6 | -       | 29.5 |
| 32.8 | -     | 17.8       | 17.1  | 16.4              | 16.0 | 17.8     | 18.8 | 21.2                   | 20.1 | -       | 32.8 |
| 36.1 | -     | -          | 13.6  | 13.1              | 12.6 | 14.3     | 15.6 | 16.2                   | 18.2 | -       | 36.1 |
| 39.4 | -     | -          | 11.0  | 10.6              | 10.1 | 11.9     | 12.9 | 13.7                   | 13.9 | -       | 39.4 |
| 45.9 | -     | -          | -     | 6.8               | 6.5  | 8.2      | 9.2  | 9.8                    | 10.3 | -       | 45.9 |
| 52.5 | -     | -          | -     | -                 | 3.9  | 5.6      | 6.5  | 7.2                    | 7.6  | -       | 52.5 |
| 59.1 | -     | -          | -     | -                 | -    | 3.6      | 4.6  | 5.2                    | 5.6  | -       | 59.1 |
| 65.6 | -     | -          | -     | -                 | -    | 2.1      | 3.1  | 3.6                    | 4.2  | -       | 65.6 |
| 72.2 | -     | -          | -     | -                 | -    | 0.8      | 1.8  | 2.4                    | 2.9  | -       | 72.2 |
| 78.7 | -     | -          | -     | -                 | -    | -        | 0.8  | 1.4                    | 1.9  | -       | 78.7 |
| 85.3 | -     | -          | -     | -                 | -    | -        | -    | -                      | 1.0  | -       | 85.3 |
| 91.9 | -     | -          | -     | -                 | -    | -        | -    | -                      | -    | -       | 91.9 |

Main counterweight: 13,230 lbs · Contrapeso principal: 13,230 lbs

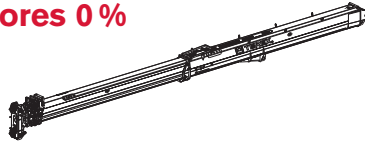
# LOAD CHART – MAIN BOOM US STANDARD ASME B30.5

**TRT 70US**

TABLA DE CARGA

**Outriggers · Estabilizadores 0 %**

**Mode 2:  
Strength · Resistencia**



|      |       | 13,230 lbs |      | 8.8 ft x 24.0 ft |      | 360°    |      | US STANDARD ASME B30.5 |      |         |   |         |   |          |   |          |   |          |   |      |
|------|-------|------------|------|------------------|------|---------|------|------------------------|------|---------|---|---------|---|----------|---|----------|---|----------|---|------|
|      |       | 36.1 ft    |      | 42.7 ft          |      | 49.5 ft |      | 56.1 ft                |      | 62.7 ft |   | 82.7 ft |   | 102.7 ft |   | 122.7 ft |   | 142.7 ft |   |      |
|      |       | kip        |      | kip              |      | kip     |      | kip                    |      | kip     |   | kip     |   | kip      |   | kip      |   | kip      |   |      |
| 8.2  | 109.2 | 113.6      | 98.2 | 83.8             | 77.9 | -       | -    | -                      | -    | -       | - | -       | - | -        | - | -        | - | -        | - | 8.2  |
| 9.8  | 80.7  | 76.8       | 72.6 | 67.1             | 70.6 | -       | -    | -                      | -    | -       | - | -       | - | -        | - | -        | - | -        | - | 9.8  |
| 11.5 | 62.0  | 58.2       | 54.9 | 56.0             | 54.0 | 40.6    | -    | -                      | -    | -       | - | -       | - | -        | - | -        | - | -        | - | 11.5 |
| 13.1 | 49.4  | 47.0       | 44.3 | 39.8             | 43.7 | 40.8    | -    | -                      | -    | -       | - | -       | - | -        | - | -        | - | -        | - | 13.1 |
| 14.8 | 35.8  | 34.4       | 36.6 | 32.3             | 31.5 | 33.3    | -    | -                      | -    | -       | - | -       | - | -        | - | -        | - | -        | - | 14.8 |
| 16.4 | 29.9  | 28.6       | 30.9 | 26.7             | 26.0 | 30.7    | 29.8 | -                      | -    | -       | - | -       | - | -        | - | -        | - | -        | - | 16.4 |
| 19.7 | 21.6  | 20.5       | 19.6 | 19.0             | 18.4 | 22.5    | 22.3 | 21.6                   | -    | -       | - | -       | - | -        | - | -        | - | -        | - | 19.7 |
| 23.0 | 16.2  | 15.2       | 14.4 | 13.5             | 12.9 | 15.0    | 17.4 | 17.0                   | -    | -       | - | -       | - | -        | - | -        | - | -        | - | 23.0 |
| 26.2 | 12.0  | 11.1       | 10.5 | 9.9              | 9.5  | 11.1    | 12.1 | 13.5                   | 13.3 | -       | - | -       | - | -        | - | -        | - | -        | - | 26.2 |
| 29.5 | -     | 8.4        | 7.8  | 7.3              | 6.9  | 8.5     | 9.5  | 11.0                   | 10.7 | -       | - | -       | - | -        | - | -        | - | -        | - | 29.5 |
| 32.8 | -     | 6.3        | 5.7  | 5.2              | 4.9  | 6.5     | 7.5  | 9.0                    | 8.7  | -       | - | -       | - | -        | - | -        | - | -        | - | 32.8 |
| 36.1 | -     | -          | 4.0  | 3.5              | 3.2  | 4.9     | 5.8  | 6.4                    | 7.2  | -       | - | -       | - | -        | - | -        | - | -        | - | 36.1 |
| 39.4 | -     | -          | 2.6  | 2.2              | 1.9  | 3.5     | 4.4  | 5.1                    | 5.8  | -       | - | -       | - | -        | - | -        | - | -        | - | 39.4 |
| 45.9 | -     | -          | -    | -                | -    | 1.4     | 2.4  | 3.0                    | 3.9  | -       | - | -       | - | -        | - | -        | - | -        | - | 45.9 |
| 52.5 | -     | -          | -    | -                | -    | -       | 0.9  | 1.4                    | 1.9  | -       | - | -       | - | -        | - | -        | - | -        | - | 52.5 |
| 59.1 | -     | -          | -    | -                | -    | -       | -    | -                      | 0.7  | -       | - | -       | - | -        | - | -        | - | -        | - | 59.1 |
| 65.6 | -     | -          | -    | -                | -    | -       | -    | -                      | -    | -       | - | -       | - | -        | - | -        | - | -        | - | 65.6 |

Main counterweight: 13,230 lbs · Contrapeso principal: 13,230 lbs





# LOAD CHART – MAIN BOOM US STANDARD ASME B30.5

**TRT 70US**

TABLA DE CARGA

**Outriggers · Estabilizadores 100%**

**Mode 3:**

**Proportional · Proporcional**



|       |       | 13,230 lbs |      | 24.0 ft x 24.0 ft |      | 360° |      | US STANDARD ASME B30.5 |      |      |      |     |       |
|-------|-------|------------|------|-------------------|------|------|------|------------------------|------|------|------|-----|-------|
|       |       |            |      |                   |      |      |      |                        |      |      |      |     |       |
| ft    | kip   | kip        | kip  | kip               | kip  | kip  | kip  | kip                    | kip  | kip  | kip  | kip | ft    |
| 8.2   | 140.0 | 42.1       | 41.5 | -                 | -    | -    | -    | -                      | -    | -    | -    | -   | 8.2   |
| 9.8   | 132.4 | 42.6       | 41.7 | 41.3              | -    | -    | -    | -                      | -    | -    | -    | -   | 9.8   |
| 11.5  | 118.0 | 43.0       | 42.1 | 41.5              | 39.3 | -    | -    | -                      | -    | -    | -    | -   | 11.5  |
| 13.1  | 108.1 | 43.7       | 42.4 | 41.7              | 40.3 | 40.6 | -    | -                      | -    | -    | -    | -   | 13.1  |
| 14.8  | 99.5  | 44.3       | 42.8 | 42.1              | 41.5 | 41.3 | -    | -                      | -    | -    | -    | -   | 14.8  |
| 16.4  | 92.0  | 45.2       | 43.2 | 42.4              | 41.9 | 41.5 | 40.8 | -                      | -    | -    | -    | -   | 16.4  |
| 19.7  | 79.9  | 51.2       | 44.3 | 43.0              | 42.4 | 41.9 | 41.0 | 36.2                   | -    | -    | -    | -   | 19.7  |
| 23.0  | 70.2  | 54.3       | 45.9 | 43.9              | 43.0 | 42.4 | 41.3 | 32.0                   | 30.3 | 29.1 | -    | -   | 23.0  |
| 26.2  | 61.1  | 58.1       | 51.2 | 45.0              | 43.2 | 42.8 | 39.3 | 28.5                   | 26.9 | 25.9 | 22.4 | -   | 26.2  |
| 29.5  | -     | 45.9       | 46.1 | 46.0              | 43.7 | 39.8 | 36.6 | 25.4                   | 24.0 | 23.2 | 21.6 | -   | 29.5  |
| 32.8  | -     | 37.5       | 37.7 | 37.7              | 37.7 | 36.4 | 33.3 | 22.7                   | 21.6 | 20.8 | 20.1 | -   | 32.8  |
| 36.1  | -     | 31.1       | 31.5 | 31.7              | 31.7 | 31.7 | 30.7 | 20.7                   | 19.6 | 18.9 | 18.2 | -   | 36.1  |
| 39.4  | -     | -          | 26.7 | 27.0              | 27.0 | 27.0 | 27.0 | 18.9                   | 17.9 | 17.0 | 16.3 | -   | 39.4  |
| 45.9  | -     | -          | 20.1 | 20.2              | 20.4 | 20.3 | 20.3 | 15.4                   | 14.7 | 14.0 | 13.5 | -   | 45.9  |
| 52.5  | -     | -          | -    | 15.4              | 15.4 | 15.4 | 15.7 | 13.0                   | 12.4 | 11.8 | 11.3 | -   | 52.5  |
| 59.1  | -     | -          | -    | 12.1              | 12.4 | 12.4 | 12.4 | 11.0                   | 10.4 | 9.9  | 9.5  | -   | 59.1  |
| 65.6  | -     | -          | -    | -                 | 9.8  | 9.9  | 9.9  | 9.4                    | 8.9  | 8.4  | 8.1  | -   | 65.6  |
| 72.2  | -     | -          | -    | -                 | -    | 7.9  | 8.1  | 7.9                    | 7.6  | 7.2  | 6.7  | -   | 72.2  |
| 78.7  | -     | -          | -    | -                 | -    | 6.4  | 6.5  | 6.8                    | 6.4  | 6.1  | 5.7  | -   | 78.7  |
| 85.3  | -     | -          | -    | -                 | -    | -    | 5.2  | 5.3                    | 5.5  | 5.1  | 4.7  | -   | 85.3  |
| 91.9  | -     | -          | -    | -                 | -    | -    | 4.1  | 4.2                    | 4.2  | 4.3  | 4.0  | -   | 91.9  |
| 98.4  | -     | -          | -    | -                 | -    | -    | -    | 3.2                    | 3.3  | 3.3  | 3.3  | -   | 98.4  |
| 105.0 | -     | -          | -    | -                 | -    | -    | -    | -                      | 2.5  | 2.5  | 2.5  | -   | 105.0 |
| 111.5 | -     | -          | -    | -                 | -    | -    | -    | -                      | 1.8  | 1.9  | 1.9  | -   | 111.5 |
| 118.1 | -     | -          | -    | -                 | -    | -    | -    | -                      | -    | 1.2  | 1.3  | -   | 118.1 |
| 124.7 | -     | -          | -    | -                 | -    | -    | -    | -                      | -    | -    | 0.8  | -   | 124.7 |
| 131.2 | -     | -          | -    | -                 | -    | -    | -    | -                      | -    | -    | -    | -   | 131.2 |

Main counterweight: 13,230 lbs · Contrapeso principal: 13,230 lbs

# LOAD CHART – MAIN BOOM US STANDARD ASME B30.5

**TRT 70US**

TABLA DE CARGA

**Outriggers - Estabilizadores 50 %**

**Mode 3:  
Proportional - Proporcional**



|      |    | 13,230 lbs |         | 16.4 ft x 24.0 ft |         | 360°    |         | US STANDARD ASME B30.5 |          |          |          |          |      |    |
|------|----|------------|---------|-------------------|---------|---------|---------|------------------------|----------|----------|----------|----------|------|----|
|      |    |            |         |                   |         |         |         |                        |          |          |          |          |      |    |
|      |    | 36.1 ft    | 46.9 ft | 57.4 ft           | 68.2 ft | 78.7 ft | 89.6 ft | 100.1 ft               | 110.9 ft | 121.4 ft | 132.2 ft | 142.7 ft |      |    |
|      |    | kip        | kip     | kip               | kip     | kip     | kip     | kip                    | kip      | kip      | kip      | kip      |      |    |
| 8.2  | ft | 140.0      | 42.1    | 41.5              | -       | -       | -       | -                      | -        | -        | -        | -        | 8.2  | ft |
| 9.8  | ft | 132.4      | 42.6    | 41.7              | 41.3    | -       | -       | -                      | -        | -        | -        | -        | 9.8  | ft |
| 11.5 | ft | 118.0      | 43.0    | 42.1              | 41.5    | 39.3    | -       | -                      | -        | -        | -        | -        | 11.5 | ft |
| 13.1 | ft | 108.1      | 43.7    | 42.4              | 41.7    | 40.3    | 40.6    | -                      | -        | -        | -        | -        | 13.1 | ft |
| 14.8 | ft | 99.5       | 44.3    | 42.8              | 42.1    | 41.5    | 41.3    | -                      | -        | -        | -        | -        | 14.8 | ft |
| 16.4 | ft | 92.0       | 45.2    | 43.2              | 42.4    | 41.9    | 41.5    | 40.8                   | -        | -        | -        | -        | 16.4 | ft |
| 19.7 | ft | 79.9       | 51.2    | 44.3              | 43.0    | 42.4    | 41.9    | 41.0                   | 36.2     | -        | -        | -        | 19.7 | ft |
| 23.0 | ft | 70.2       | 41.9    | 37.9              | 37.9    | 37.8    | 37.6    | 41.3                   | 32.0     | 30.3     | 29.1     | -        | 23.0 | ft |
| 26.2 | ft | 61.1       | 32.9    | 33.0              | 33.0    | 33.3    | 33.0    | 32.8                   | 28.5     | 26.9     | 25.9     | 22.4     | 26.2 | ft |
| 29.5 | ft | -          | 26.5    | 26.8              | 26.8    | 26.9    | 26.8    | 26.8                   | 25.4     | 24.0     | 23.2     | 21.6     | 29.5 | ft |
| 32.8 | ft | -          | 21.8    | 19.7              | 19.9    | 20.0    | 22.3    | 22.3                   | 19.9     | 21.6     | 20.8     | 20.1     | 32.8 | ft |
| 36.1 | ft | -          | 16.1    | 16.4              | 16.5    | 16.7    | 16.7    | 18.8                   | 16.8     | 16.8     | 16.7     | 18.2     | 36.1 | ft |
| 39.4 | ft | -          | -       | 13.6              | 13.7    | 13.8    | 13.9    | 13.9                   | 13.9     | 14.1     | 14.1     | 13.9     | 39.4 | ft |
| 45.9 | ft | -          | -       | 9.7               | 9.9     | 10.0    | 10.1    | 10.1                   | 10.3     | 10.3     | 10.3     | 10.3     | 45.9 | ft |
| 52.5 | ft | -          | -       | -                 | 7.3     | 7.4     | 7.5     | 7.5                    | 7.6      | 7.6      | 7.6      | 7.6      | 52.5 | ft |
| 59.1 | ft | -          | -       | -                 | 5.2     | 5.4     | 5.4     | 5.5                    | 5.5      | 5.6      | 5.6      | 5.6      | 59.1 | ft |
| 65.6 | ft | -          | -       | -                 | -       | 3.8     | 3.9     | 4.0                    | 4.0      | 4.1      | 4.1      | 4.2      | 65.6 | ft |
| 72.2 | ft | -          | -       | -                 | -       | -       | 2.6     | 2.8                    | 2.8      | 2.9      | 2.9      | 2.9      | 72.2 | ft |
| 78.7 | ft | -          | -       | -                 | -       | -       | 1.7     | 1.7                    | 1.8      | 1.8      | 1.9      | 1.9      | 78.7 | ft |
| 85.3 | ft | -          | -       | -                 | -       | -       | -       | 0.9                    | 0.9      | 1.0      | 1.0      | 1.0      | 85.3 | ft |
| 91.9 | ft | -          | -       | -                 | -       | -       | -       | -                      | -        | -        | -        | -        | 91.9 | ft |

Main counterweight: 13,230 lbs · Contrapeso principal: 13,230 lbs

# LOAD CHART – MAIN BOOM US STANDARD ASME B30.5




**TRT 70US**

TABLA DE CARGA

**Outriggers - Estabilizadores 0 %**

**Mode 3:  
Proportional - Proporcional**



|  <b>13,230 lbs</b>  <b>8.8 ft x 24.0 ft</b>  <b>360°</b> <span style="float: right;"><b>US STANDARD<br/>ASME B30.5</b></span> |         |         |         |         |         |         |          |          |          |          |          |      |  |
|---|---------|---------|---------|---------|---------|---------|----------|----------|----------|----------|----------|------|--|
|   | 36.1 ft | 46.9 ft | 57.4 ft | 68.2 ft | 78.7 ft | 89.6 ft | 100.1 ft | 110.9 ft | 121.4 ft | 132.2 ft | 142.7 ft |      |  |
| ft  | kip     | kip     | kip     | kip     | kip     | kip     | kip      | kip      | kip      | kip      | kip      | ft   |  |
| 8.2   | 109.2   | 42.1    | 41.5    | -       | -       | -       | -        | -        | -        | -        | -        | 8.2  |  |
| 9.8   | 80.7    | 42.6    | 41.7    | 41.3    | -       | -       | -        | -        | -        | -        | -        | 9.8  |  |
| 11.5  | 62.0    | 43.0    | 42.1    | 41.5    | 39.3    | -       | -        | -        | -        | -        | -        | 11.5 |  |
| 13.1  | 49.4    | 43.7    | 42.4    | 41.7    | 40.1    | 40.6    | -        | -        | -        | -        | -        | 13.1 |  |
| 14.8  | 35.8    | 36.2    | 36.2    | 36.1    | 35.8    | 35.5    | -        | -        | -        | -        | -        | 14.8 |  |
| 16.4  | 29.9    | 30.3    | 30.3    | 30.3    | 30.2    | 32.6    | 31.4     | -        | -        | -        | -        | 16.4 |  |
| 19.7  | 21.6    | 22.1    | 22.3    | 22.4    | 22.4    | 24.3    | 23.5     | 22.9     | -        | -        | -        | 19.7 |  |
| 23.0  | 16.2    | 16.8    | 17.0    | 17.1    | 17.1    | 18.8    | 18.2     | 18.1     | 17.5     | 16.9     | -        | 23.0 |  |
| 26.2  | 12.0    | 12.6    | 12.9    | 13.1    | 13.1    | 13.1    | 14.7     | 14.7     | 14.1     | 13.6     | 13.3     | 26.2 |  |
| 29.5  | -       | 9.8     | 10.1    | 10.4    | 10.5    | 10.5    | 10.5     | 10.5     | 11.7     | 11.3     | 10.7     | 29.5 |  |
| 32.8  | -       | 7.7     | 8.1     | 8.3     | 8.4     | 8.4     | 8.4      | 8.5      | 9.5      | 9.2      | 8.7      | 32.8 |  |
| 36.1  | -       | 6.1     | 6.4     | 6.6     | 6.6     | 6.7     | 6.7      | 6.8      | 6.8      | 7.5      | 7.2      | 36.1 |  |
| 39.4  | -       | -       | 5.0     | 5.2     | 5.3     | 5.4     | 5.4      | 5.4      | 5.5      | 6.2      | 5.8      | 39.4 |  |
| 45.9  | -       | -       | 2.8     | 3.0     | 3.1     | 3.2     | 3.3      | 3.3      | 3.4      | 3.4      | 3.9      | 45.9 |  |
| 52.5  | -       | -       | -       | 1.4     | 1.5     | 1.7     | 1.8      | 1.8      | 1.9      | 1.9      | 1.9      | 52.5 |  |
| 59.1  | -       | -       | -       | -       | -       | -       | -        | 0.7      | 0.7      | 0.7      | 0.7      | 59.1 |  |
| 65.6  | -       | -       | -       | -       | -       | -       | -        | -        | -        | -        | -        | 65.6 |  |

Main counterweight: 13,230 lbs · Contrapeso principal: 13,230 lbs

# LOAD CHART – MAIN BOOM US STANDARD ASME B30.5

**TRT 70US**

TABLA DE CARGA

**On Tires · Sobre neumáticos**

**Mode 3:**

**Proportional · Proporcional**



|      |      | 13,230 lbs |      | 0 mph |      | US STANDARD ASME B30.5 |     |     |     |     |     |      |
|------|------|------------|------|-------|------|------------------------|-----|-----|-----|-----|-----|------|
|      |      |            |      |       |      |                        |     |     |     |     |     |      |
| ft   | kip  | kip        | kip  | kip   | kip  | kip                    | kip | kip | kip | kip | kip | ft   |
| 8.2  | -    | -          | -    | -     | -    | -                      | -   | -   | -   | -   | -   | 8.2  |
| 9.8  | -    | -          | -    | -     | -    | -                      | -   | -   | -   | -   | -   | 9.8  |
| 11.5 | 24.5 | -          | -    | -     | -    | -                      | -   | -   | -   | -   | -   | 11.5 |
| 13.1 | 21.2 | 21.4       | -    | -     | -    | -                      | -   | -   | -   | -   | -   | 13.1 |
| 14.8 | 18.3 | 18.8       | -    | -     | -    | -                      | -   | -   | -   | -   | -   | 14.8 |
| 16.4 | 16.1 | 16.3       | 16.5 | -     | -    | -                      | -   | -   | -   | -   | -   | 16.4 |
| 19.7 | 12.1 | 12.4       | 12.6 | 12.8  | -    | -                      | -   | -   | -   | -   | -   | 19.7 |
| 23.0 | 9.5  | 9.7        | 9.9  | 10.1  | 10.4 | -                      | -   | -   | -   | -   | -   | 23.0 |
| 26.2 | 7.3  | 7.5        | 7.9  | 7.9   | 8.2  | 8.4                    | -   | -   | -   | -   | -   | 26.2 |
| 29.5 | -    | 6.0        | 6.2  | 6.4   | 6.4  | 6.6                    | 6.6 | -   | -   | -   | -   | 29.5 |
| 32.8 | -    | 4.4        | 4.6  | 4.9   | 5.1  | 5.1                    | 5.3 | 5.3 | 5.5 | -   | -   | 32.8 |
| 36.1 | -    | -          | 3.5  | 3.8   | 4.0  | 4.0                    | 4.2 | 4.2 | 4.2 | 4.4 | -   | 36.1 |
| 39.4 | -    | -          | -    | 2.6   | 2.9  | 3.1                    | 3.1 | 3.3 | 3.3 | 3.3 | -   | 39.4 |

Main counterweight: 13,230 lbs · Contrapeso principal: 13,230 lbs

# LOAD CHART – MAIN BOOM US STANDARD ASME B30.5

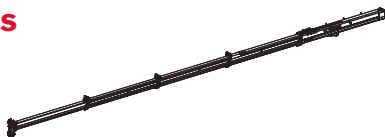
**TRT 70US**

TABLA DE CARGA

On Tires · Sobre neumáticos

Mode 3:

Proportional · Proporcional



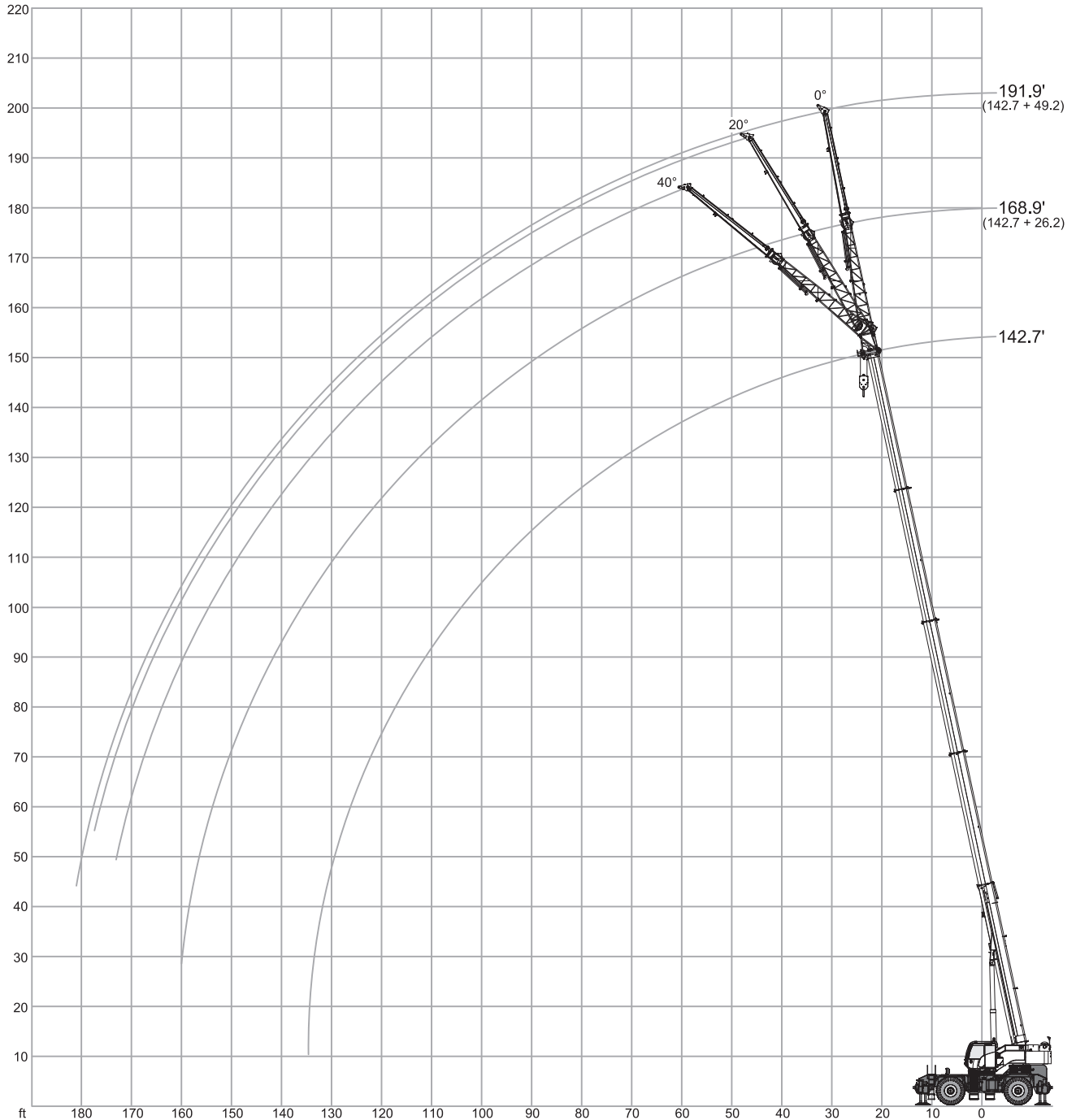
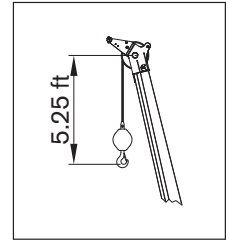
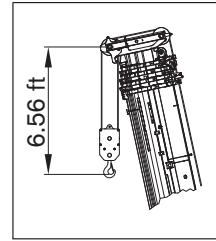
| 13,230 lbs                           1.2 mph                          US STANDARD ASME B30.5 |         |         |         |         |         |         |         |         |         |         |      |
|--|---------|---------|---------|---------|---------|---------|---------|---------|---------|---------|------|
| ft   | 36.1 ft | 41.3 ft | 46.9 ft | 52.2 ft | 57.4 ft | 62.7 ft | 68.2 ft | 73.5 ft | 78.7 ft | 84.0 ft | ft   |
| 8.2  | 31.1    | 31.3    | 31.3    | 31.5    | 31.5    | 31.8    | -       | -       | -       | -       | 8.2  |
| 9.8  | 26.5    | 27.4    | 27.6    | 27.8    | 27.8    | 28.0    | 28.0    | 28.0    | -       | -       | 9.8  |
| 11.5   | 24.0    | 24.3    | 24.5    | 24.5    | 24.7    | 24.7    | 24.0    | 24.9    | 24.9    | -       | 11.5 |
| 13.1   | 21.4    | 21.6    | 21.2    | 21.2    | 22.1    | 22.1    | 21.4    | 22.3    | 22.3    | 22.3    | 13.1 |
| 14.8   | 18.5    | 18.8    | 19.0    | 19.6    | 19.2    | 19.9    | 19.2    | 19.4    | 20.1    | 20.1    | 14.8 |
| 16.4   | 16.5    | 17.4    | 17.0    | 17.2    | 17.2    | 17.2    | 17.4    | 17.4    | 18.1    | 17.6    | 16.4 |
| 19.7   | 13.2    | 13.5    | 14.1    | 13.7    | 13.9    | 13.9    | 14.1    | 14.1    | 14.1    | 14.1    | 19.7 |
| 23.0   | 10.8    | 11.5    | 11.3    | 11.5    | 11.9    | 11.7    | 11.7    | 12.1    | 11.7    | 11.9    | 23.0 |
| 26.2   | 8.8     | 9.0     | 9.3     | 9.5     | 9.5     | 9.7     | 9.7     | 9.9     | 9.9     | 9.9     | 26.2 |
| 29.5   | -       | 7.5     | 7.7     | 7.9     | 7.9     | 8.2     | 8.2     | 8.2     | 8.4     | 8.4     | 29.5 |
| 32.8   | -       | 6.2     | 6.4     | 6.6     | 6.6     | 6.8     | 6.8     | 7.1     | 7.1     | 7.1     | 32.8 |
| 36.1   | -       | -       | 5.3     | 5.5     | 5.5     | 5.7     | 5.7     | 5.7     | 6.0     | 6.0     | 36.1 |
| 39.4   | -       | -       | -       | 4.4     | 4.6     | 4.6     | 4.9     | 4.9     | 4.9     | 4.9     | 39.4 |
| 45.9   | -       | -       | -       | -       | 3.1     | 3.1     | 3.3     | 3.3     | 3.3     | 3.3     | 45.9 |
| 52.5   | -       | -       | -       | -       | -       | -       | -       | -       | 2.2     | 2.2     | 52.5 |

Main counterweight: 13,230 lbs · Contrapeso principal: 13,230 lbs

# RANGE GRAPH - JIB

DIAGRAMA DE CARGA

**TRT 70US**



# LOAD CHART – JIB US STANDARD ASME B30.5

**TRT 70US**

TABLA DE CARGA

**Outriggers · Estabilizadores 100 %**

|       |  | 13,230 lbs         |      | 24.0 ft x 24.0 ft |                    | 360° |      | US STANDARD<br>ASME B30.5 |  |
|-------|--|--------------------|------|-------------------|--------------------|------|------|---------------------------|--|
|       |  | Boom · Pluma 100 % |      |                   | Boom · Pluma 100 % |      |      |                           |  |
|       |  | 142 ft + 26 ft     |      |                   | 142 ft + 49 ft     |      |      |                           |  |
|       |  | 0°                 | 20°  | 40°               | 0°                 | 20°  | 40°  |                           |  |
|       |  | kip                | kip  | kip               | kip                | kip  | kip  |                           |  |
| ft    |  |                    |      |                   |                    |      |      | ft                        |  |
| 36.1  |  | 5.96               | -    | -                 | -                  | -    | -    | 36.1                      |  |
| 39.4  |  | 6.18               | -    | -                 | -                  | -    | -    | 39.4                      |  |
| 45.9  |  | 6.18               | 9.27 | -                 | 6.18               | -    | -    | 45.9                      |  |
| 52.5  |  | 6.18               | 8.60 | -                 | 6.18               | -    | -    | 52.5                      |  |
| 59.1  |  | 6.40               | 7.94 | 7.06              | 6.40               | 5.07 | -    | 59.1                      |  |
| 65.6  |  | 6.40               | 7.06 | 6.62              | 6.18               | 4.63 | -    | 65.6                      |  |
| 72.2  |  | 6.40               | 5.74 | 5.96              | 5.29               | 4.41 | 3.97 | 72.2                      |  |
| 78.7  |  | 6.18               | 4.41 | 5.07              | 4.41               | 4.19 | 3.75 | 78.7                      |  |
| 85.3  |  | 5.29               | 3.53 | 4.19              | 3.53               | 3.97 | 3.53 | 85.3                      |  |
| 91.9  |  | 4.41               | 2.65 | 3.09              | 2.87               | 3.53 | 3.53 | 91.9                      |  |
| 98.4  |  | 3.09               | 1.76 | 2.21              | 2.32               | 2.87 | 3.31 | 98.4                      |  |
| 105.0 |  | 2.32               | 1.10 | 1.54              | 1.65               | 2.21 | 2.87 | 105.0                     |  |
| 111.5 |  | 1.65               | 0.66 | 0.88              | 1.21               | 1.88 | 2.21 | 111.5                     |  |
| 118.1 |  | 0.99               | 0.44 | 0.44              | 0.77               | 1.32 | 1.76 | 118.1                     |  |
| 124.7 |  | -                  | -    | -                 | 0.33               | 0.88 | 1.21 | 124.7                     |  |
| 131.2 |  | -                  | -    | -                 | -                  | 0.44 | 0.77 | 131.2                     |  |
| 137.8 |  | -                  | -    | -                 | -                  | -    | 0.33 | 137.8                     |  |






Main counterweight: 13,230 lbs · Contrapeso principal: 13,230 lbs

# TECHNICAL SPECIFICATIONS







# TRT 70US

## ESPECIFICACIÓN TÉCNICA




### Boom · Pluma

|   |   |                    |
|---|---|--------------------|
|  | <b>5 sections</b> · 5 secciones   |                    |
|  | <b>Three modes</b> · Tres modos   |                    |
|  | <b>Min. / Max.</b> · Min. / Máx.  | 36.1 ft / 142.7 ft |
|  | <b>Max. main boom</b> · Máx. pluma principal  | 151 ft             |
|  | <b>Boom luffing angle range (min. / max.)</b> · Ángulos de elevación de la pluma (mín. / máx.)                      | -2° / +78°         |
|   | <b>Boom raising / lowering time<sup>(1)</sup></b> · Tiempo de elevación / descenso de la pluma <sup>(1)</sup>       | 60 s / 65 s        |
|   | <b>Boom extension / retraction time<sup>(1)</sup></b> · Tiempo de extensión / retracción de la pluma <sup>(1)</sup> | 120 s / 125 s      |

### Hoist · Cabrestante

|   |   |             |
|---|---|-------------|
|    | <b>Hydraulic motor</b> · Motor hidráulico<br><b>Rope roller device</b> · Sistema de tensado de cable<br><b>Normally engaged brake</b> · Freno activado en estado normal |             |
|  | <b>2 speeds</b> · 2 velocidades   |             |
|   | <b>Max.<sup>(1)</sup> · Máx.<sup>(1)</sup></b>  | 338 ft/min. |
|  | <b>Rotational resistant</b> · Antirotación  |             |
|  |   | 3/4 in.     |
|  |   | 771 ft      |
|  | <b>Permissible line pull</b> · Tracción de cable admisible  | 15,062 lbs  |

### Upper Structure · Superestructura

|   |   |            |
|---|---|------------|
|  | <b>Main counterweight ASME B30.5</b> · Contrapeso principal ASME B30.5                      | 13,230 lbs |
|  | <b>Non stop</b> · Sin fin   | 360°       |
|   | <b>Maximum speed<sup>(1)</sup></b> · Velocidad máxima <sup>(1)</sup>                        | 1.0 rpm    |
|  | <b>Hydraulic motor</b> · Motor hidráulico<br><b>Planetary reducer</b> · Reductor planetario |            |



### Cab and Controls · Cabina y controles



**S-space cab** · Cabina S-space:

**Sliding door** · Puerta deslizante

**Wide visibility** · Amplia visibilidad

**Front and upper window with windscreen wiper** · Luna frontal y superior con limpiaparabrisas

**Upper windows can be opened** · Lunas superiores con apertura

**Tilttable cab up to 17°** · Cabina abatible hasta 17°

**Fully adjustable seat onto shockproof suspensions** · Asiento totalmente ajustable con suspensión anti-impacto

**Equipped with tilttable arm rests with integrated hand controls for crane operation** · Equipado con apoyabrazos abatible con controles integrados para operación de grúa

**Emergency engine stop** · Parada de emergencia del motor

**Radio with CD player and USB port** · Radio con reproductor de CD y puerto usb

**Seat belts** · Cinturones de seguridad



**Climatized cab** · Cabina climatizada

**Air-conditioning** · Climatización



**TEOS – Terex Operating System. Electronic control with 10" touch screen display** · TEOS – Sistema Operativo Terex. Control electrónico con pantalla táctil de 10"

**Electro-proportional joysticks** · Joystick electroproporcionados



**Adjustable working LED lights outside the cab (3 lights)** ·

Luces de trabajo LED ajustables en el exterior de la cabina (3 luces)



**T-LINK Telematics** · Sistema telemático T-LINK

### Carrier · Chasis



**Cummins QSB6.7 Stage V – Tier 4f** · Cummins QSB6.7 Stage V – Tier 4f

**No. of cylinders** · Nº cilindros

6

**Rated power** · Potencia nominal

225 hp @ 2200 rpm

**Maximum gross torque** · Par de fuerza máx.

875 lbs/ft @ 1300 rpm

**Fuel tank capacity** · Volumen depósito combustible

79 gallons

**Diesel Exhaust Fluid (DEF) · AdBlue (DEF)**

10 gallons



**4 wheel drive permanent** · Tracción permanente en las 4 ruedas



**Front wheel steering** · Dirección en las ruedas delanteras

**Rear wheel steering** · Dirección en las ruedas traseras

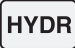


**Four wheel steering concentric** · Dirección en las cuatro ruedas, concéntrica

**Four wheel steering crab** · Dirección en las cuatro ruedas, modo cangrejo

# TECHNICAL SPECIFICATIONS

# TRT 70US


## ESPECIFICACIÓN TÉCNICA

|   |  |
|---|--|
|  | <b>One triple pump: first section piston pump, second and third gear pumps ·</b><br>Una bomba triple: primera sección bomba de pistón, segunda y tercera, bombas de engranajes |
|  | <b>Electric circuit with two batteries 12 V / 140 Ah ·</b> Circuito eléctrico con dos baterías 12 V / 140 Ah <span style="float: right;">24 V</span>                           |
|  | <b>Rear axle differential lock ·</b> Bloqueo diferencial eje trasero   |





## Vehicle Performance · Prestaciones del vehículo

|   |   |
|---|---|
|  | <b>Max.<sup>(2)</sup> · Máx.<sup>(2)</sup></b> <span style="float: right;">65 % –  26.5<br/>72 % –  23.5</span> |
|  | <b>Max.<sup>(2)</sup> · Máx.<sup>(2)</sup></b> <span style="float: right;">19 mph</span>  |
|  | <b>Min. / Max. · Mín. / Máx.</b> <span style="float: right;">-4° F / 113° F</span>  |

## Tires · Neumáticos

|   |   |
|---|---|
|  | <b>Earth moving style ·</b><br>Para movimiento de tierra <span style="float: right;">23.5 standard<br/>26.5 option</span> |
|---|---|









## Options · Opciones

|   |   |
|---|---|
|  | <b>Single sheave ·</b> Una polea  |
|  | <b>2-section jib ·</b> Plumin de 2 secciones:<br><b>Side stowable ·</b> Almacenable lateralmente <span style="float: right;">26 ft / 49 ft</span><br><b>Angular offsets ·</b> Inclinación <span style="float: right;">0° / 20° / 40°</span> |
|   | <b>Cameras ·</b> Cámaras<br><b>Radio remote controller ·</b> Mando a distancia por radio  |
|  | <b>Hydraulic motor ·</b> Motor hidráulico<br><b>Rope roller device ·</b> Sistema de tensado de cable<br><b>Normally engaged brake ·</b> Freno activado en estado normal   |
|  | <b>2 speeds ·</b> 2 velocidades<br><b>Max.<sup>(1)</sup> · Máx.<sup>(1)</sup></b> <span style="float: right;">338 ft/min.</span>  |

# TECHNICAL SPECIFICATIONS

TRT 70US

## ESPECIFICACIÓN TÉCNICA

|  |  |                       |
|--|--|-----------------------|
|   | <b>Rotational resistant</b> · Antirotación   |                       |
|   |  | 3/4 in.               |
|   |  | 771 ft                |
|   | <b>Permissible line pull</b> · Tracción de cable admisible                               | 15,062 lbs            |
|   | <b>Outrigger control from the ground</b> · Control externo de los apoyos estabilizadores |                       |
|   | <b>Cummins QSB6.7 Stage IIIA - Tier 3</b> · Cummins QSB6.7 Stage IIIA - Tier 3           |                       |
|  | <b>No. of cylinders</b> · N <sup>o</sup> cilindros                                       | 6                     |
|  | <b>Rated power</b> · Potencia nominal  | 220 hp @ 2200 rpm     |
|  | <b>Maximum gross torque</b> · Par de fuerza máx.   | 700 lbs/ft @ 1500 rpm |
|  | <b>Fuel tank capacity</b> · Volumen depósito combustible                                 | 79 gallons            |
|    | <b>Kit for engine pre-warming</b> · Kit de precalentamiento del motor                    |                       |
|   | <b>Spare wheel</b> · Rueda de repuesto   |                       |
| <b>Emergency engine stop on carrier</b> · Parada de emergencia del motor en el chasis  |  |                       |
| <b>Spark arrestor on exhaust pipe muffler</b> · Parachispas en el silenciador del tubo de escape   |  |                       |
| <b>Anemometer</b> · Anemómetro   |  |                       |
| <b>Rear towing hook</b> · Eganche de remolque  |  |                       |
| <b>Wooden box for cab protection in sea shipment</b> · Caja de madera para proteger la cabina para el transporte marítimo  |  |                       |
| <b>Removable parts disassembling and put into wooden box tied to the crane</b> · Desmontaje de las piezas desmontables y colocación en caja de madera fijada a la grúa |  |                       |
| <b>Anti-corrosive protective waxing for sea shipping</b> · Aplicación de cera de protección para el transporte marítimo  |  |                       |
| <b>Special customer paint of all boom elements</b> · Pintura especial en todas las secciones de la pluma   |  |                       |
| <b>Special heavy painting suitable for corrosive environments</b> · Pintura especial para ambientes corrosivos   |  |                       |

**Note: refer to your local dealer for a full list of options.**

(1) Indicative value only for reference.

(2) Standard crane in travelling configuration – value calculated with nominal tire radius and max power delivered to the wheels.

Nota: consulte la lista completa de opciones en su distribuidor local.



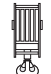
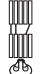
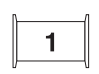
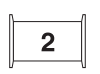


(1) Valor indicativo, sólo de referencia.

(2) Grúa estándar en configuración de marcha – valor calculado considerando el radio nominal del neumático y máxima potencia en las ruedas.

# TECHNICAL SPECIFICATIONS

**TRT 70US**

## ESPECIFICACIÓN TÉCNICA

|  |   |   |   |   |   |   |          |          |
|---|---|---|---|---|---|---|----------|----------|
|  |  |  |  |  |  |  | Standard | Optional |
|   |   |   |   |   |   |   | Estándar | Opcional |
| 70 USt  | 6   | 12  | •   |   |   | •   | •        |          |
| 70 USt  | 6   | 12  | •   |   | •   |   |          | •        |
| 22 USt  | 1   | 3   | •   | •   |   |   |          | •        |
| 11 USt  | 0   | 1   | •   | •   |   |   |          | •        |

# NOTES TO LIFTING CAPACITY

**TRT 70US**

## NOTAS SOBRE LA CAPACIDAD DE ELEVACIÓN

**Weight of hook blocks and slings is considered part of the load and must be subtracted from the capacity ratings. Consult operation manual for further details.**

**Note: Data published herein is intended as a guideline only and shall not be construed to warrant applicability for lifting purposes. For actual crane operation refer to the computer charts and the operating manual, both of which are supplied with the crane.**

Los pesos de los ganchos y las eslingas se consideran parte de la carga y tienen que ser restados de las capacidades nominales. Consulte el manual de instrucciones para más detalles.

Nota: Los datos publicados se proporcionan a título informativo, por tanto, no se consideraran vinculantes a los efectos de la garantía de la capacidad de elevación.

Para operar la grúa deben cumplirse las tablas originales y el manual de instrucciones suministrados con la grúa.

Lined area for notes.

A large rectangular area with horizontal lines, intended for taking notes. The lines are evenly spaced and cover the majority of the page's width and height.

## TEREX ROUGH TERRAIN CRANES

**Terex USA, LLC**  
3147 South 17th Street - Suite 100  
Wilmington, NC 28412  
Ph: +1-877-698-3739  
Email: [mktg.cranes@terex.com](mailto:mktg.cranes@terex.com)

May 2023. Product specifications and prices are subject to change without notice or obligation. The photographs and/or drawings in this document are for illustrative purposes only. Refer to the appropriate Operator's Manual for instructions on the proper use of this equipment. Failure to follow the corresponding Operator's Manual when using our equipment or to otherwise act responsibly may result in serious injury or death. The only warranty applicable to our equipment is the standard written warranty applicable to the particular product and sale and Terex makes no other warranty, express or implied. Products and services listed may be trademarks, service marks or trade-names of Terex Corporation and/or its subsidiaries in the USA and other countries. All rights are reserved. Terex, the Terex Crown design and Works For You are trademarks of Terex Corporation or its subsidiaries.

Mayo 2023. Las especificaciones y los precios de los productos están sujetos a cambios sin necesidad de previo aviso ni ninguna otra obligación. Las fotografías y/o dibujos de este documento tienen un fin meramente ilustrativo. Consulte el correspondiente manual de instrucciones del operario para obtener más información sobre el uso correcto de esta maquinaria. No respetar el manual del operario al utilizar la maquinaria o actuar de forma irresponsable puede provocar lesiones graves e incluso mortales. La única garantía aplicable a nuestra maquinaria es la garantía escrita estándar de cada producto y venta. Terex no amplía dicha garantía de forma expresa ni implícita. Los productos y servicios mencionados pueden ser marcas comerciales, marcas de servicio o nombres de marca de Terex Corporation o de alguna de sus filiales en Estados Unidos y otros países. Todos los derechos reservados. Terex, el diseño de la corona Terex y Works For You son marcas registradas de Terex Corporation o de sus filiales.



[www.terex.com/rough-terrain-cranes](http://www.terex.com/rough-terrain-cranes)

Brochure Reference: RT-DS-I-E/S-TRT70US-05/23



**WORKS FOR YOU.™**