

DX85D, DX130D and DX175D Generator Sets

Prime Power for Oil and Gas Applications

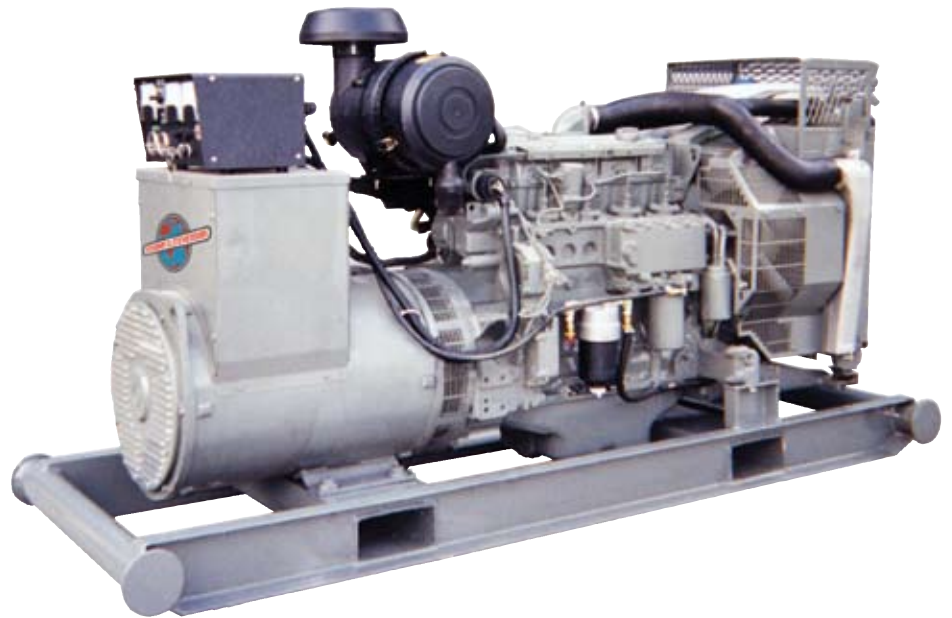
- Designed and built to meet demanding Oil and Gas requirements

Low Operating Cost

- High fuel efficiency
- Long service intervals

Outstanding Performance

- 100% single step load acceptance



See back for generator specifications!

STANDARD EQUIPMENT

- EPA Tier 2 non-road certified
- Heavy duty, structural steel base
- Lifting/towing provisions
- Spill containment w/drain connection
- Fuel supply/return connections
- Electric starter
- Batteries, 12V lead calcium
- Battery box, polyethylene
- Alternator, engine-mounted
- Dry type air filter, heavy duty
- Service indicator
- Radiator, 113°F (45°C)
- Blower fan, engine belt driven
- Lube oil filters, spin on full flow
- Fuel filters, primary & secondary

- Control Panel, unit-mounted
- Shutdowns
 - Low Oil Pressure
 - High Oil Temperature
- Meters
 - Voltage, 3-phase
 - Frequency
 - Amperage, 3-phase
 - Engine hours
- Start/Stop switch
- Power cable entry via pothead
- Voltage regulator

OPTIONS

- Generator space heater
- Air intake shutoff valve
- Silencer, spark-arresting industrial grade
- Silencer, critical grade
- Rain caps
- Exhaust flexible connections, SS
- Fuel/water separator
- Customer-specified paint color
- Hardcopy Manuals
- Special Tool kit
- Vibration Isolators



Building For The Next Century

DX-SERIES Specifications

RATINGS	DX85D	DX130D	DX175D
OUTPUT RATING - PRIME-KWE/KVA*	85/106	130/162	175/219
RATED VOLTAGE	480/277 VAC	480/277 VAC	480/277 VAC
RATED FREQUENCY	60 Hz	60 Hz	60 Hz
RATED POWER FACTOR (LAGGING)	0.8	0.8	0.8

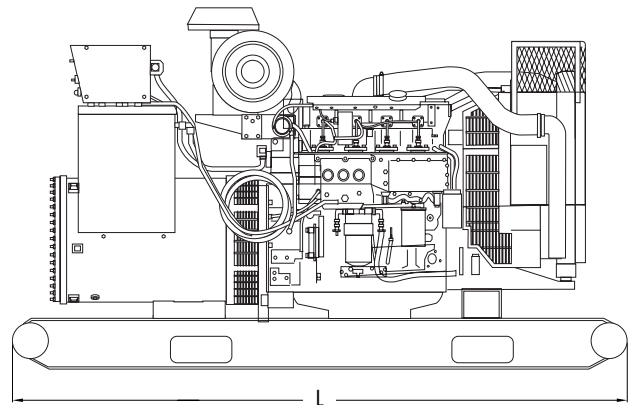
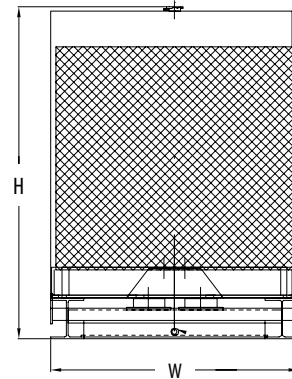
*At voltage, frequency and PF according to ISO 3046/1 conditions.

ENGINE	DX85D	DX130D	DX175D
MANUFACTURER	Deutz	Deutz	Deutz
MODEL	BF4M1013EC	BF6M1013EC	BF6M1013FC
TYPE	4 cycle	4 cycle	4 cycle
FUEL	Diesel	Diesel	Diesel
CYLINDERS	4 Inline	6 Inline	6 Inline
POWER OUTPUT (HP)	141	208	273
SPEED (RATED)	1800 rpm	1800 rpm	1800 rpm

GENERATOR	DX85D	DX130D	DX175D
TYPE	Brushless	Brushless	Brushless
POLES	4 pole	4 pole	4 pole
BEARING	Single, sealed	Single, sealed	Single, sealed
INSULATION	Class H	Class H	Class H
TEMPERATURE RISE @40 °C	105 °C	105 °C	105 °C
EXCITER	PMG	PMG	PMG
VOLTAGE REGULATION	AVR	AVR	AVR

DIMENSIONS	DX85D	DX130D	DX175D
WEIGHT (APPROX.):	2160 lbs	2760 lbs	3127 lbs
L x W x H (IN INCHES)	93 x 36 x 46	110 x 36 x 50	115 x 36 x 50

All dimensions are in inches and are approximate.



Albuquerque, NM
505-881-3511

Corpus Christi, TX
361-289-5350

Gillette, WY
307-685-6413

New Orleans, LA
504-347-4326

San Antonio, TX
210-662-1000

Broussard, LA
337-837-9001

Dallas, TX
214-631-5370

Houston, TX
713-671-6220

Odessa, TX
432-620-4500

Waco, TX
254-857-4351

Casper, WY
307-234-6975

El Paso, TX
915-790-1848

Longview, TX
903-758-5562

Pharr, TX
956-787-6880

Wichita Falls, TX
940-322-5227

Commerce City, CO
303-287-7441

Farmington, NM
505-325-5071

Lubbock, TX
806-745-4224

Pueblo, CO
719-543-7056

Visit us on the Web at www.stewartandstevenson.com

SSLLC2007-03-034 ©2007 STEWART & STEVENSON

All data subject to change without notice. The information in this bulletin is believed to be accurate but all recommendations are made without warranty, since the conditions of use are beyond Stewart & Stevenson's control. Stewart & Stevenson disclaims any liability in connection with the use of this information, and does not warrant against infringement by reason of the use of any of its products in combination with other material or in any process. Stewart & Stevenson warrants only that the product complies with specifications agreed to in contracts of sale.



Building For The Next Century